

General & Safety Information

- Wear proper personal protective equipment (PPE).
- Operate all tools per manufacturer guidelines.
- Standard woodworking saws and blades can be used for cutting Fypon® polyurethane (PUR) products.
- Fypon PUR parts are NOT load bearing.
- Always follow applicable code requirements and clearances with other equipment or fixtures per manufacturer recommendations.
- For best results, finish and allow to dry prior to installation. Refer to Fypon General Finishing Instructions, which can be found at [fypon.com/install](https://www.fypon.com/install).
- All Fypon products must be installed per the following instructions and finished within 90 days of installation to maintain warranty coverage.

Tools / Materials

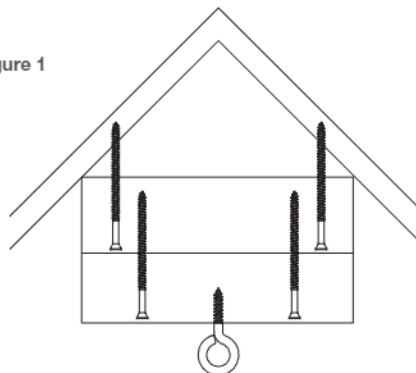
- Pencil
- Tape Measure
- Level
- Square and / or T-bevel
- Stud finder
- Hammer or pneumatic nailer
- Nail countersink
- Drill / driver (if using screws)
- Putty knife
- Saw (if trimming)
- 2x lumber (for blocking)
- Plumb line (if using cable)
- Sandpaper (220-grit recommended)
- Chalk line
- Caulk gun
- Exterior-grade polyurethane-compatible sealant and / or filler
- Exterior-grade polyurethane-compatible adhesive (Loctite® PL Premium® recommended)
- Exterior-grade fasteners (trim head screws recommended)
- Cable, cable clamps and eye screws (turnbuckle optional)

Installation Instructions

1) Install top vertical support mounts (if applicable).

Refer to Fypon Standard Beam Installation Instructions to mark and install mounting blocks, including any locations that will have a vertical support or king post. Fasten an eye screw to the mounting block at the truss location (Figure 1).

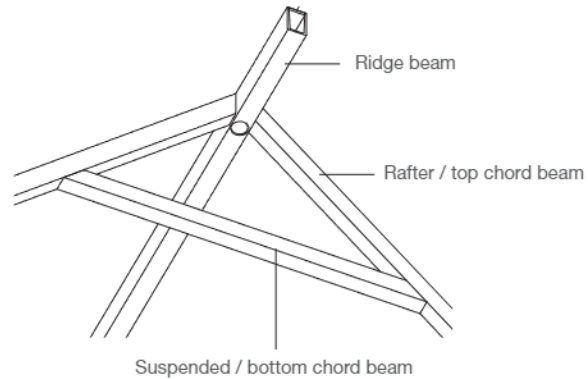
Figure 1



2) Install ridge beams, rafter (top chord) beams, or suspended (bottom chord) beams.

Refer to the Fypon® Beam Fabrication and Standard Beam Installation Instructions. Install the ridge beam with holes in all locations where cables or fixtures will pass through the beam. Next, install any other rafter (top chord) beams. If the bottom chord of the truss will be a suspended beam, install it next (Figure 2).

Figure 2



3) Install bottom vertical support mounts (if applicable).

Suspend a plumb line from the eye screw to determine the mounting block location (Figure 3A). If there is not a full-length support in the suspended beam, cut and install a mounting block to attach the cable to. Apply a 1/4" bead of adhesive to the edges of the mounting block and secure it to the suspended (bottom chord) beam using trim screws (Figure 3B), with the heads countersunk. Install an eye screw in the bottom vertical support mount (Figure 3C).

Figure 3A

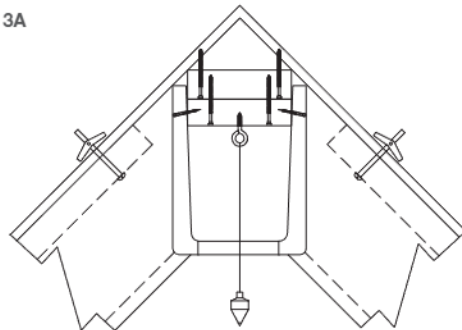


Figure 3B

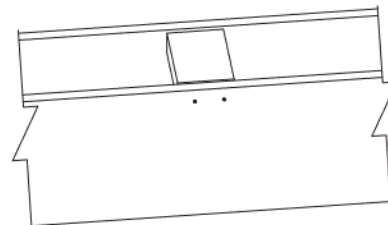
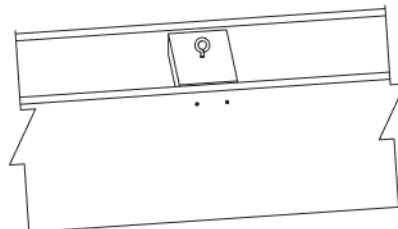
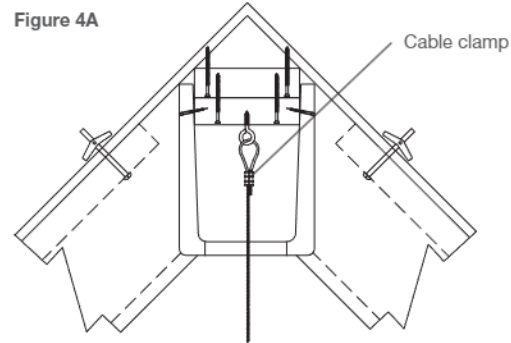


Figure 3C



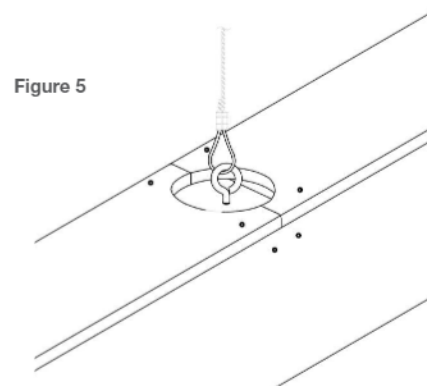
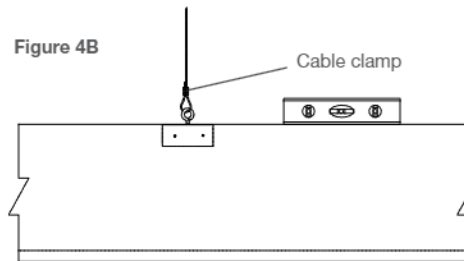
4) Attach vertical support to suspended beam.

Attach one end of the cable to the eye screw at the peak, using a cable clamp (Figure 4A). Attach the other end to the eye screw on the suspended beam, take out the slack in the cable and make sure the beam is level, then secure with a cable clamp (Figure 4B). A turnbuckle can also be used for fine tuning of the cable length.



5) Install beam tops (if desired).

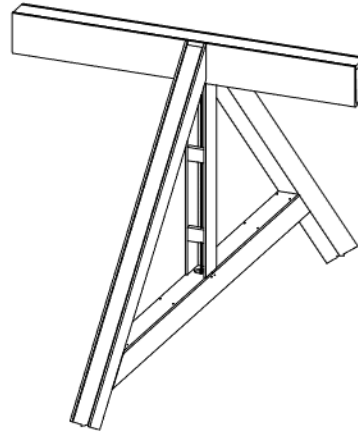
If a beam top will be installed on the suspended beam, do so now. Refer to the Fypon® Beam Fabrication Instructions to fabricate and assemble the beam top. It may be necessary to fabricate the beam top in multiple pieces with notches in the ends to fit around the vertical support mount (Figure 5).



6) Install king post beam around vertical support.

Refer to Fypon® Beam Fabrication Instructions if king post beam was not already cut. Install king post beam to hide the vertical support (Figure 6A) and install a beam top on the open side (Figure 6B). Fasten the king post beam at the top and bottom with trim screws and countersink the heads.

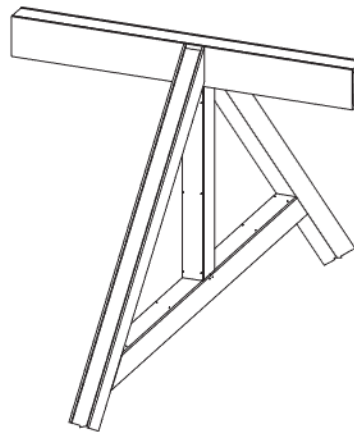
Figure 6A



7) Install additional beams.

Install any additional webbing (strut) beams (Figure 7). If additional mounting blocks are needed, follow the same process as before, and as shown in the Standard Beam Installation Instructions.

Figure 6B



8) Attach any accessories.

Attach any beam straps, beam plates, etc. with adhesive and fasteners in the desired locations (Figure 7).

9) Fill and sand fastener holes.

Fill fastener holes with filler and sand to match surrounding area, if needed, but be careful not to remove the primer.

10) Touch up or finish.

Refer to Fypon General Finishing Instructions. If part was finished prior to installation, touch up filled fastener holes with color-matched finish. Joints and seams can also be caulked if desired.

Figure 7

