

General & Safety Information

- Wear proper personal protective equipment (PPE).
- Operate all tools per manufacturer guidelines.
- Standard woodworking saws and blades can be used for cutting Fypon® PVC products.
- Fypon PVC parts are NOT load bearing. Column wraps are designed to be installed around a properly specified and installed structural post that meets applicable code requirements.
- These instructions assume that correctly specified structural posts are already properly installed. If using a Fypon structural post, refer to the Fypon Structural Post Installation Instructions, which can be found at fypon.com/install.
- If finishing, refer to Fypon General Finishing Instructions, which can be found at fypon.com/install. Unlike most other Fypon products, finishing column wraps is most commonly done after installation.
- All Fypon products must be installed per the following instructions to maintain warranty coverage.

Tools / Materials

- Ladder
- Pencil
- Tape measure
- Level
- Combination square
- Hammer or pneumatic nailer
- Nail countersink
- Drill / driver (if using screws)
- Hammer drill (if fastening to concrete)
- Putty knife
- Saw (circular and rip)
- Treated lumber (if blocking is needed)
- Shims
- Fine-grit sandpaper (1000 grit or finer)
- Caulk gun
- Exterior-grade PVC-compatible filler
- Exterior-grade PVC-compatible sealant / adhesive (included in Fypon installation kit, sold separately)
- Exterior-grade fasteners (screws included in Fypon installation kit, sold separately)

Included with column wrap kit:

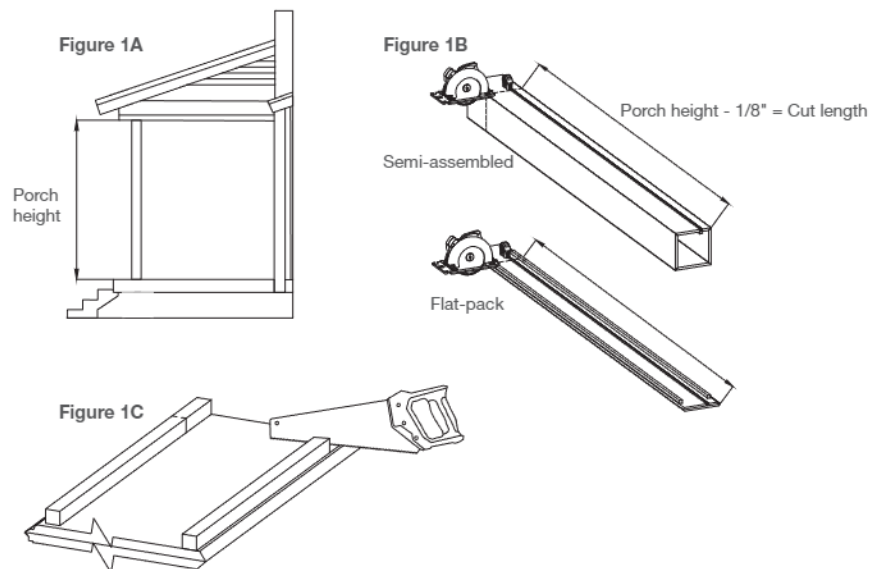
- (2) Column wrap halves
- (4) L-shaped internal cleats
- (2) Base halves (sold separately for flat-pack)
- (2) Cap halves (sold separately for flat-pack)

Installation Instructions

1) Measure and cut column wrap halves.

At the location of the post, measure the distance from the porch floor to to the mounting surface on the overhead porch structure (Figure 1A). Subtract 1/8" from that measurement and cut the column wrap halves to length (Figure 1B). Dry fit column wrap to ensure proper fit, and trim if needed.

Trim the nailing block if necessary, to ensure that there is at least 2" clearance from each end of the column wrap for the cleat (Figure 1C).

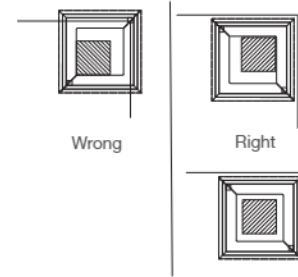
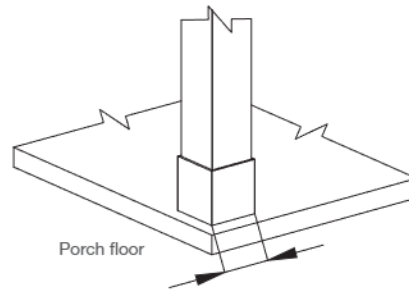


2) Mark column wrap position.

Identify and mark the location for the cleats, noting that they will fit inside the column wrap. It may be helpful to dry fit the column wrap when doing this, make sure it is plumb, and trace around the inside of the cleats.

Note that the column wrap should not overhang the porch floor and the post may not be centered within the column wrap (Figure 2).

Figure 2



3) Pre-drill cleats, porch floor and overhead porch structure.

Drill holes in cleats where they will attach to the porch floor or overhead porch structure (Figure 3).

If the floor or overhead porch structure needs to be pre-drilled, do so at this time using the holes drilled in the cleats as a guide.

Figure 3

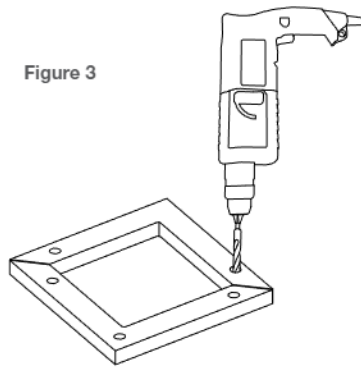
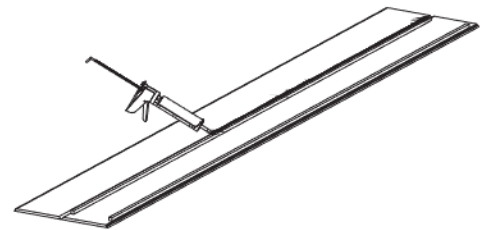


Figure 4A



4) Assemble column wrap halves.

For flat-pack designs, apply adhesive to the V-groove (Figure 4A) before folding the column wrap half together to form a right angle (Figure 4B). Do this for both column wrap halves. Fasteners or clamps may be used to maintain the right angle while the adhesive cures. If semi-assembled, proceed to the next paragraph.

Attach one cleat to the bottom end of one column wrap half, flush with the end, using 1-1/4" long exterior-grade screws and fasten from the outside of the column wrap (Figure 4C).

Figure 4B

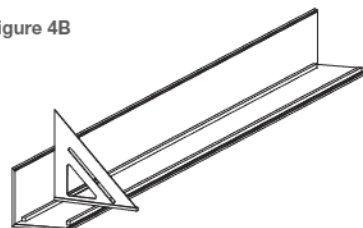
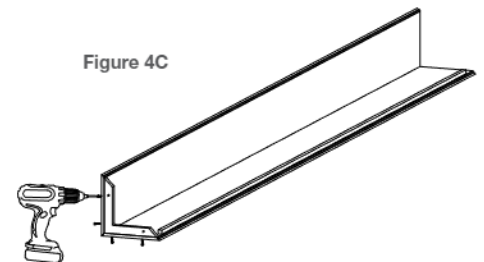


Figure 4C



5) Install blocking for railing system (if applicable).

If a railing system will be attached to the column wrap, install treated lumber blocking at the railing attachment locations (Figure 5A). The blocking must span the space between the inside of the column wrap and the structural post on sides where railing will be attached, and it should be fastened to the structural post to prevent the blocking from sliding up or down (Figure 5B).

Note that blocking is only necessary where the railing will attach, it is not always required to surround the structural post as shown. Also keep in mind that there will need to be room to fasten the cleats to the porch floor and some inside corners will have nailing blocks (Figure 5B).

Figure 5A

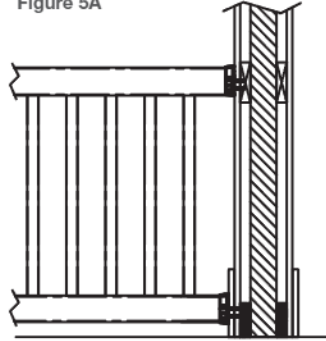
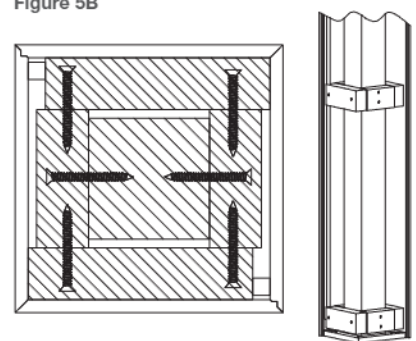


Figure 5B



6) Install column wrap halves.

Position the column wrap half with the attached bottom cleat (assembled in Step 4) around the post so it is plumb and at the desired location. Secure to the porch floor with appropriate exterior-grade fasteners through the cleat (Figure 6A), countersinking the heads. Make sure the column wrap half is plumb and secure a cleat to the overhead porch structure on the inside of the column wrap half at the top (Figure 6B).

Figure 6A

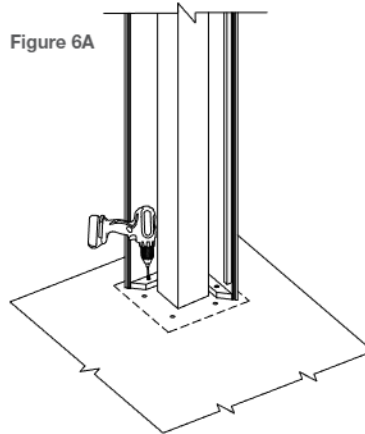
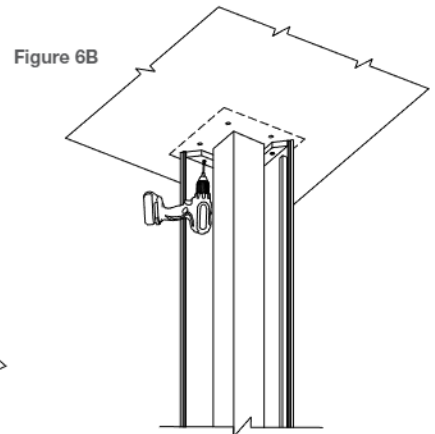


Figure 6B



Fasten the remaining cleats to the porch floor and overhead porch structure with exterior-grade fasteners (Figure 6C).

Apply adhesive generously to the mitered edges of the installed column wrap half (Figure 6D). This is necessary because the fasteners will not be sufficient to keep the corners tight over time, and it is required for warranty coverage.

(Step 6 continued on next page.)

Figure 6C

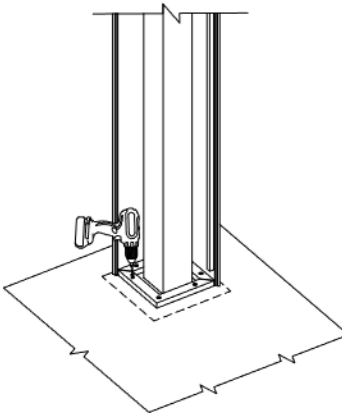
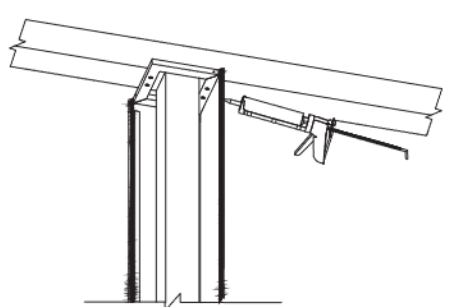


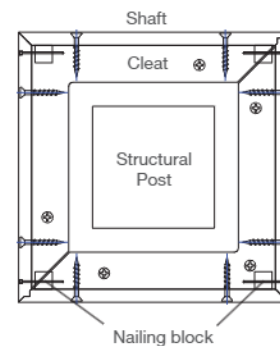
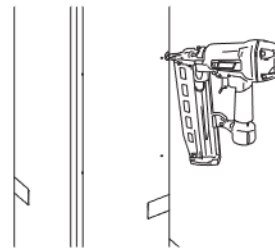
Figure 6D



6) Install column wrap halves. (continued)

Position the other column wrap half so its mitered edges interlock with the installed half and press them together so the corners are tight. Fasten the halves together every 6" to 8" with 1-1/4" long exterior-grade fasteners (Figure 6F), into the nailing blocks and countersinking the heads. Also fasten to the bottom cleat with 1-1/4" long exterior-grade screws (Figure 6G), but do not fasten to the top cleat (this will allow for expansion and contraction). Remove any tape or excess adhesive immediately.

Figure 6F



7) Install cap and base (if applicable).

For flat-pack designs, apply adhesive to the V-groove (Figure 7A) before folding the base / cap half together to form a right angle. Do this for both halves. If semi-assembled, proceed to the next paragraph.

Figure 6G

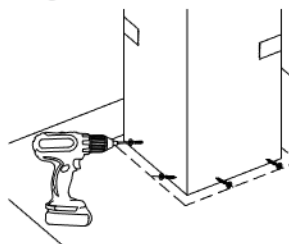
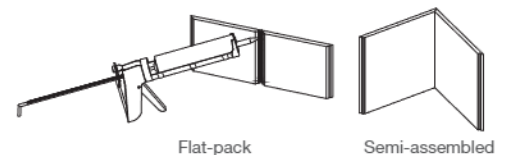
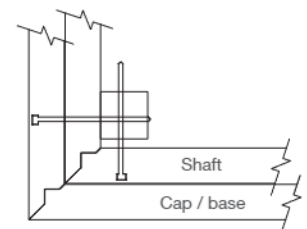
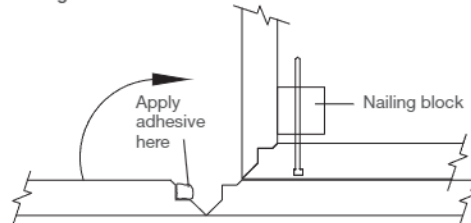


Figure 7A



Position one base half so it sits on the porch floor and tightly against the column wrap, and fasten it to the column wrap using exterior-grade fasteners. Apply adhesive generously to both mitered edges of the installed base half (Figure 7B). Position the other base half so the mitered edges interlock and fasten at the corners every 6" to 8" with 1-1/4" long exterior-grade fasteners (Figure 7C), countersinking the heads. Remove any tape or excess adhesive. Follow the same process to install the cap.

Figure 7B



8) Fill fastener holes and lightly sand corners.

Fill fastener holes with compatible filler and remove excess. Lightly sand any sharp corners, being careful not to damage the surface finish.

Figure 7C

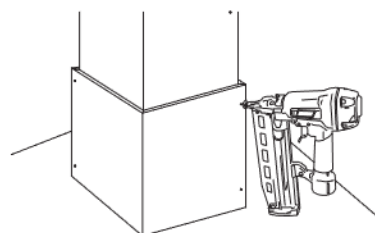
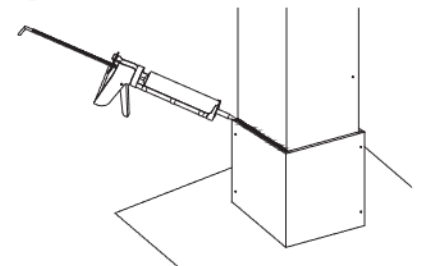


Figure 9



9) Touch up or finish.

Caulk joint between cap / base and column wrap with exterior-grade PVC-compatible sealant / adhesive to prevent water infiltration (Figure 9). If painting, refer to Fypon® General Finishing Instructions, and do not use a coating with a light reflectance value (LRV) below 55%. If part was finished prior to installation, touch up filled fastener holes with color-matched finish.