

### General & Safety Information

- Wear proper personal protective equipment (PPE).
- Use all products and tools per manufacturer guidelines, including ventilation requirements.

### Tools / Materials

- Sandpaper (220-grit or finer recommended) and / or sanding block
- Orbital sander (for larger repairs)
- Lint-free rags or tack cloth
- Spatula or putty knife
- Automotive body filler and hardener
- High-quality water-based exterior primer

### For repairs that do not require filler:

#### 1) Remove any loose material.

#### 2) Sand area to be repaired.

Lightly sand (by hand) the area to be repaired and the surrounding area, using 220-grit or finer sandpaper (Figure 2A). Refrain from excessive sanding that will change the texture, grain, or moulding profile.

#### 3) Wipe down area.

Wipe entire surface with lint-free rags or tack cloth (Figure 3A).

#### 4) Apply primer.

Apply a high-quality water-based primer to the area to be repaired (Figure 4A). Allow to dry completely.

#### 5) Finish

Refer to Fypon® General Finishing Instructions.

Figure 2A

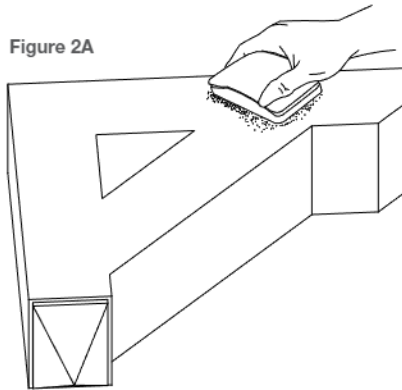


Figure 3A

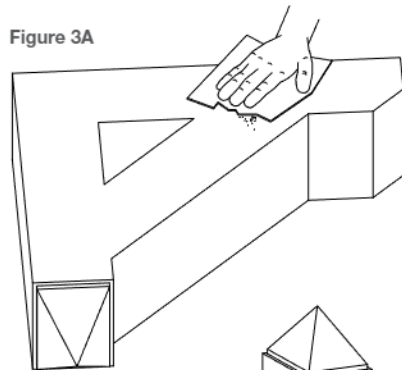
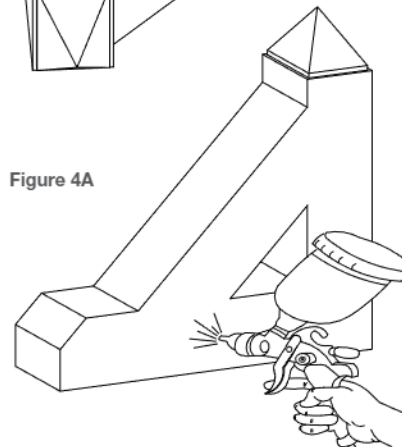


Figure 4A



#### For repairs that require filler:

1) Remove any loose material.

2) Sand area to be repaired.

Lightly sand (by hand) the area to be repaired and the surrounding area, using 220-grit or finer sandpaper (Figure 2B). Refrain from excessive sanding that will change the texture, grain, or moulding profile.

Figure 2B

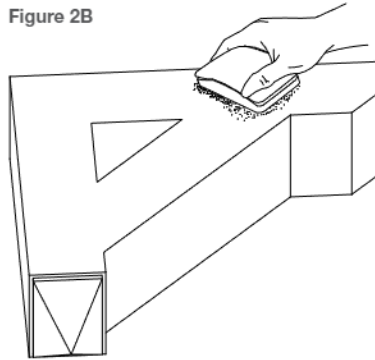
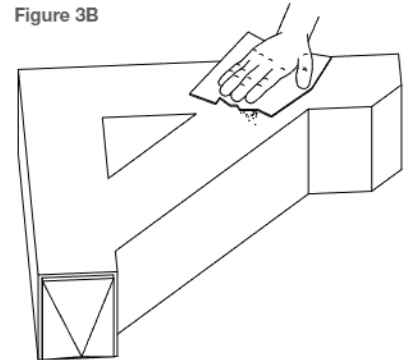


Figure 3B



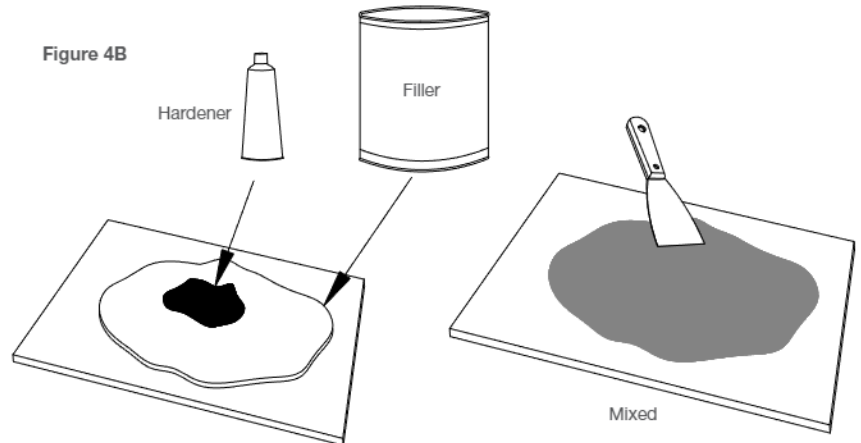
3) Wipe down area.

Wipe entire surface with lint-free rags or tack cloth (Figure 3B).

4) Apply filler (if the damage can be felt).

Mix and apply a hardening automotive body filler to the area to be repaired (Figure 4B). Follow the filler manufacturer guidelines. Apply it so the filler sits slightly higher in the center and blend to the surrounding area. Allow to harden.

Figure 4B



5) Sand filler.

Use 220-grit or finer sandpaper to sand the filler until it matches the surrounding area. Use parallel movements while sanding.

For larger areas, an orbital sander may be more efficient (Figure 5B).

Figure 5B

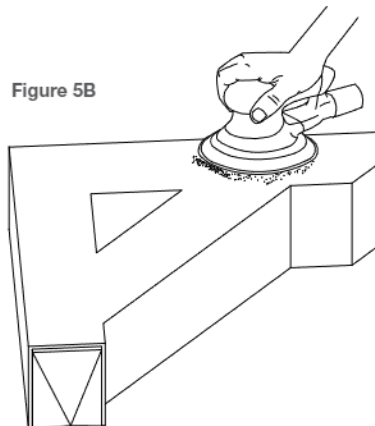
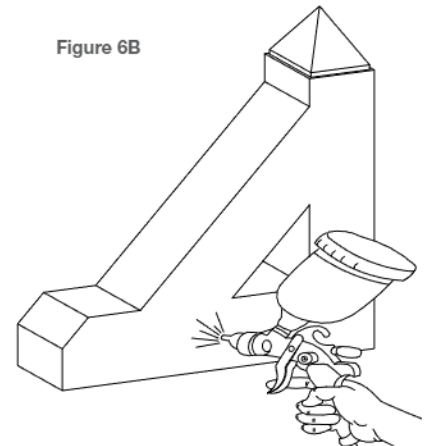


Figure 6B



6) Apply primer.

Apply a high-quality water-based primer to the area to be repaired (Figure 6B). Allow to dry completely.

7) Finish.

Refer to *Fypon® General Finishing Instructions*.