

Suggested Materials:

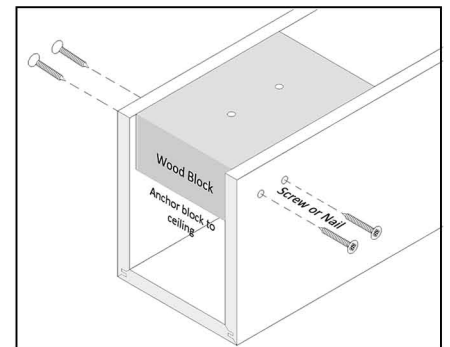
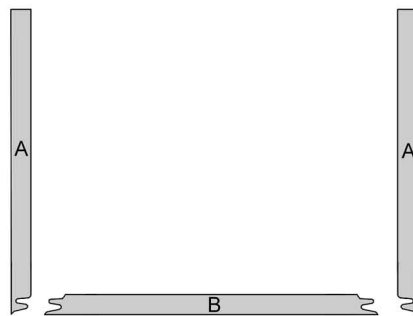
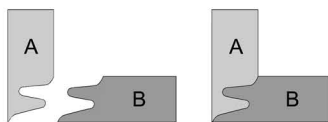
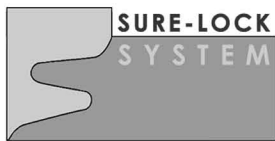
- Painter's Tape
- Construction Adhesive
- #6d finish nails
- #8 Coarse Flat-Head SS Screws
- Wood Filler
- Wood Shims

Suggested Tools:

- Pencil
- Chalk & Plumb Line
- Level (24+ inch)
- Tape Measure
- Combination Square
- Utility Knife
- Clamps
- Claw Hammer

Safety Equipment:

- Safety Glasses
- Dust Mask

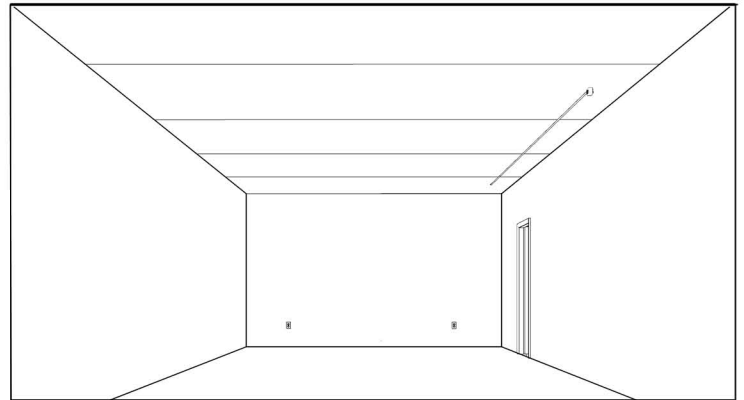


DO NOT UNBAND COMPONENTS PRIOR TO ASSEMBLY. This is a wood product and may warp if not handled properly. Remove the ceiling beams from the packaging for inspection. Your ceiling beams, as with all wood products, is subject to seasonal expansion and contraction. Storage of millwork must be in a cool, dry and well-ventilated area. Allow your ceiling beams to condition to the environment a week prior to installation. It is imperative that you do not allow the components to have direct contact with the ground or become wet.

1 Draw a grid of the targeted area and map out the location of the ceiling beams keeping in mind the following:

- location of the ceiling joists,
- obstructions (electrical, air vents, etc.)
- aesthetics.

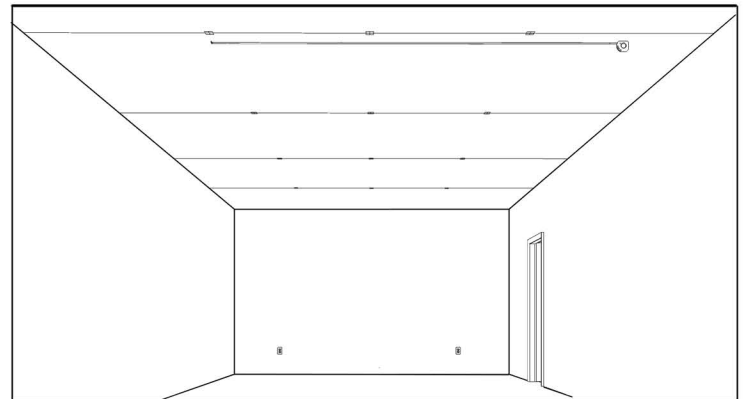
Remove the existing trimwork. Have electrical outlets and HVAC vents that interfere with the design moved by a professional.



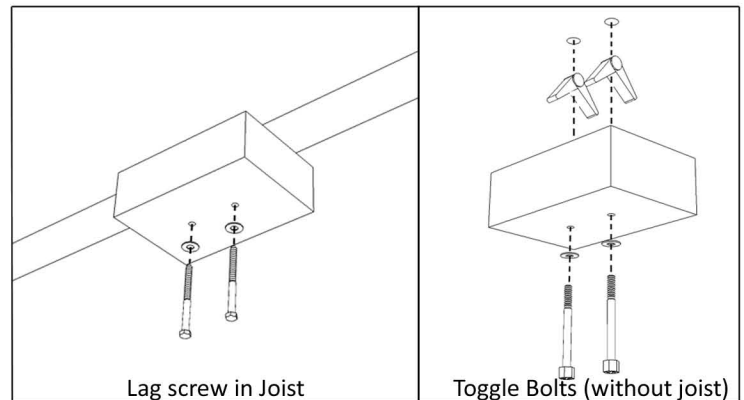
2 Transfer the grid to the ceiling using a chalk line or pencil to mark the center of the beam.

Take final measurements for the ceiling beam lengths along each chalk line.

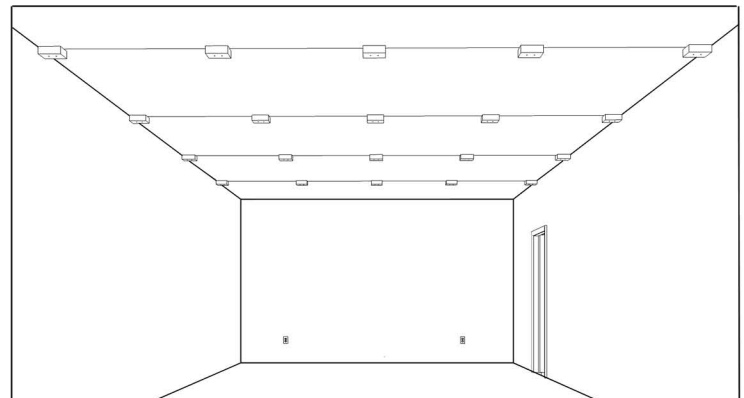
Mark the layout of the ceiling cleats every 36" to 48" with painters tape.



3 Pre-drill the holes for the lag screws. Where ceiling joists are not accessible, attach the cleats to the ceiling using toggle bolts. Do not over tighten to the point that the drywall cracks and becomes compromised.



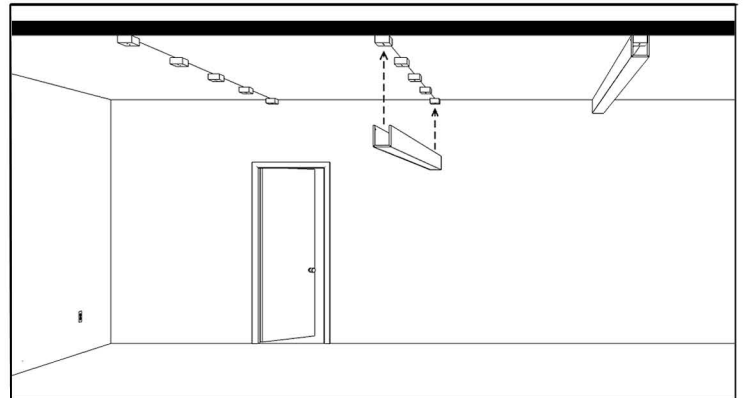
3a Secure 2x4 cleats to the ceiling along the chalk line.



4 Measure, square off and cut to length with a skill saw or jigsaw.

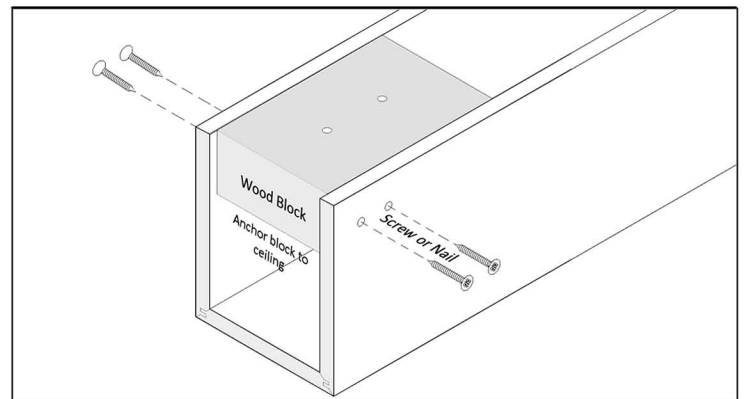
Raise the ceiling beam into place.

Mount the ceiling beams to the cleats with fastener of choice.

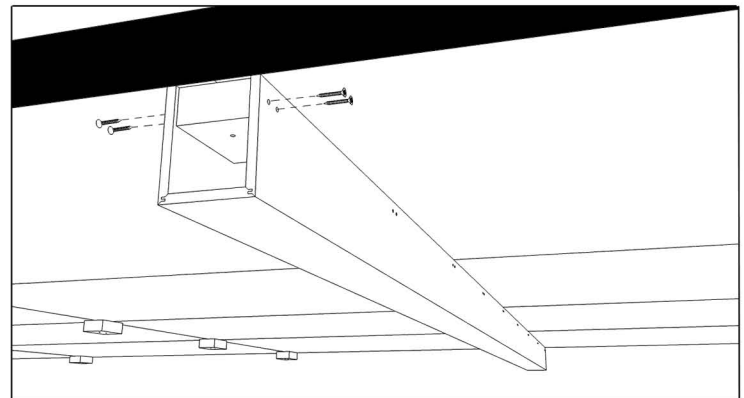


5 Pre-drill all pilot holes and counter-sink fasteners.

NOTE: Use a 1/16" pilot hole for the 6d finish nails; use a 5/32" pilot hole for the #8 coarse-thread screws.



6 Secure 2x4 cleats to the ceiling along the chalk line.



7 For a finished look, apply a premium paintable and mildew resistance caulking where the ceiling beam adjoins the ceiling to conceal any anomalies in the drywall.

For unfinished ceiling beams, use a premium wood filler to cover nail heads and wood plugs to cover screw heads.

For pre-finished ceiling beams, use a premium color-matched wax filler to cover nail heads. Pre-finished wood plugs are suggested for screw heads.

