

Suggested Materials:

- Painter's Tape
- Construction Adhesive
- #6d finish nails
- #8 Coarse Flat-Head SS Screws
- Wood Filler
- Wood Shims

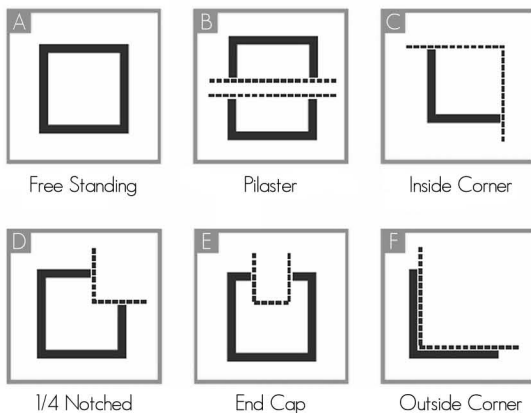
Suggested Tools:

- Pencil
- Chalk & Plumb Line
- Level (24+ inch)
- Tape Measure
- Combination Square
- Utility Knife
- Clamps
- Claw Hammer

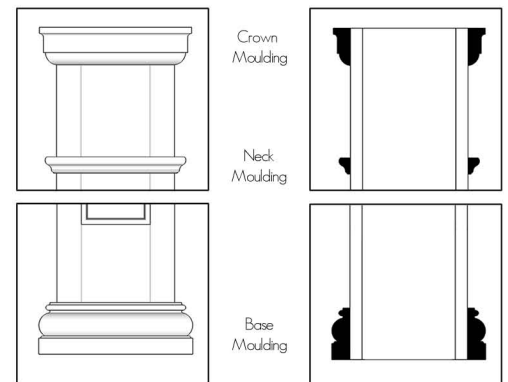
Safety Equipment:

- Safety Glasses
- Dust Mask

Layout Options:



Moulding:



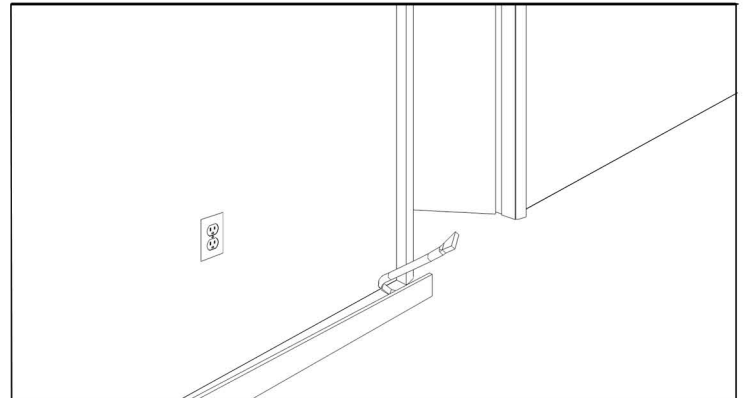
DO NOT UNBAND COMPONENTS PRIOR TO ASSEMBLY. This is a wood product and may warp if not handled properly. Remove the column wrap from the packaging for inspection. Your column wrap, as with all wood products, is subject to seasonal expansion and contraction. Storage of millwork must be in a cool, dry and well-ventilated area. Allow your column wrap to condition to the environment a week prior to installation. It is imperative that you do not allow the components to have direct contact with the ground or become wet.

PREPARATION

- 1** Prepare the walls by removing existing baseboard, casing and other trim that may interfere with the installation.

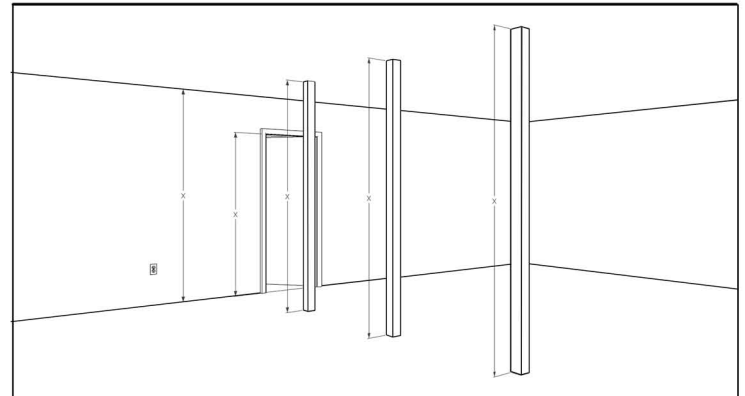
Be careful not to damage the moulding if you intend to reuse it.

Have electrical outlets relocated by a licensed electrician.



- 2** Measure the inside height of the doorway, ceiling or post/pole to be wrapped.

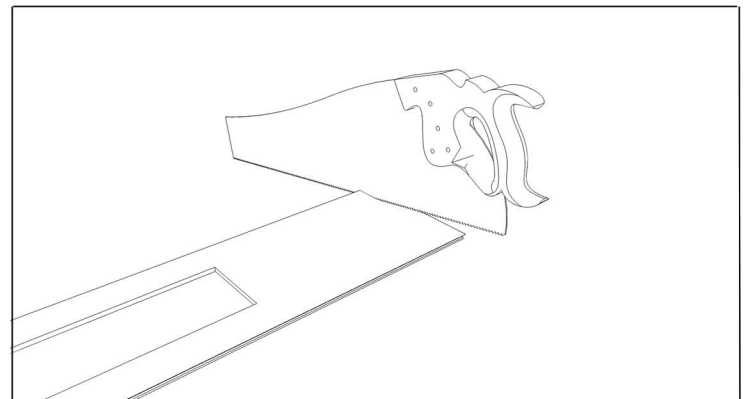
If installing multiple columns/colonnade, measure each separately.



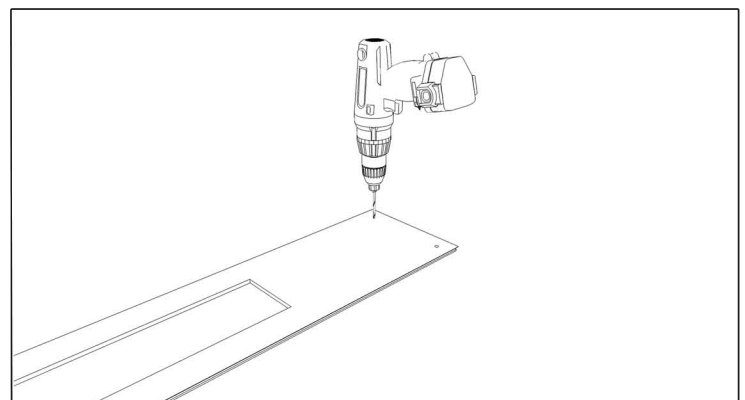
- 3** Square off and trim each panel to within 1/2" of length.

An exact fit is not necessary as the capital moulding will provide the finishing touch and obscure any irregularity.

Note: Paneled shaft designs are field adjustable up to 3" from the top and/or bottom.



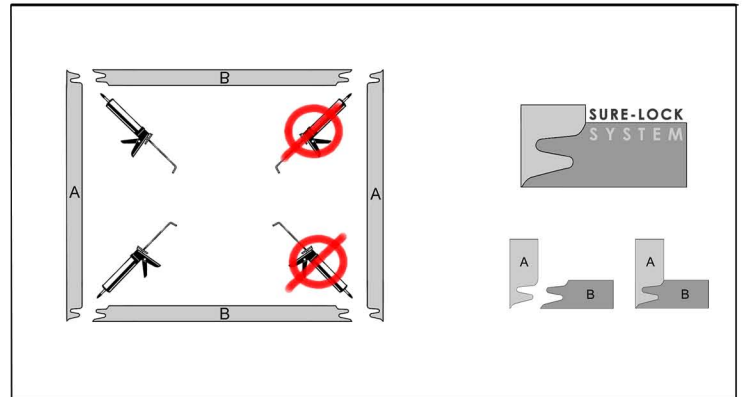
- 4** Pre-drill all pilot holes and counter-sink fasteners.



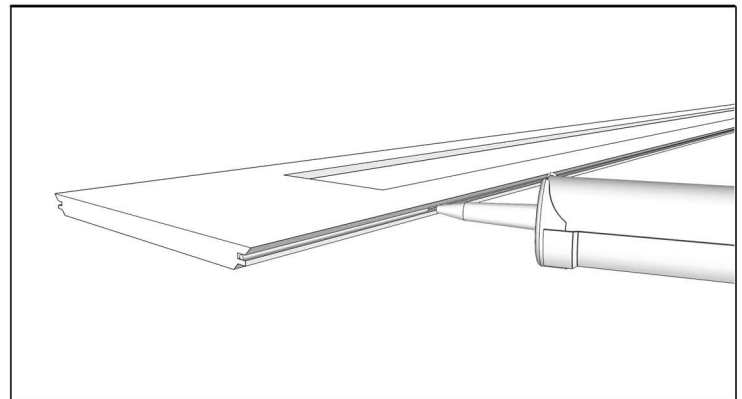
ASSEMBLY

5 Assemble panels

NOTE: Do not glue one "A" panel. This is done once it is placed around the column.

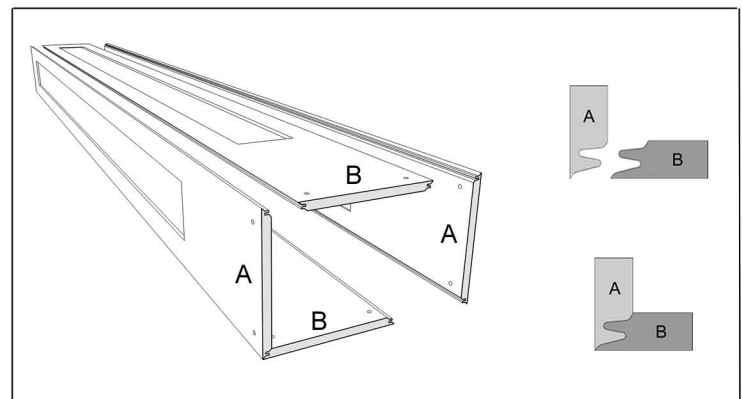


6 Apply construction adhesive



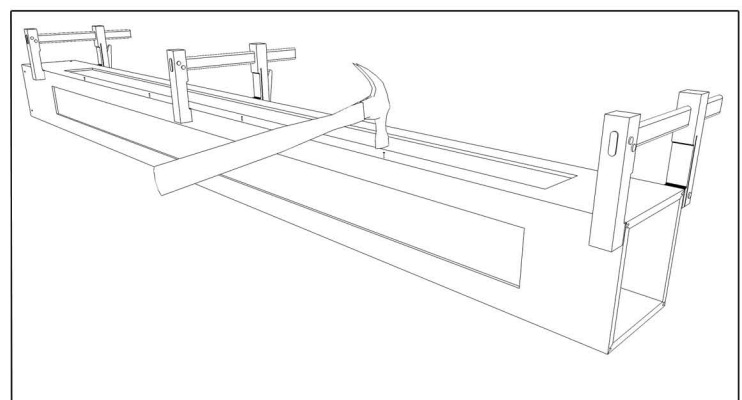
7 Clamp and verify

NOTE: Slide unglued panel into place to keep the column square.



8 Fasten

NOTE: Fasten every 18 inches with 6d finish nails. Remove excess adhesive immediately.



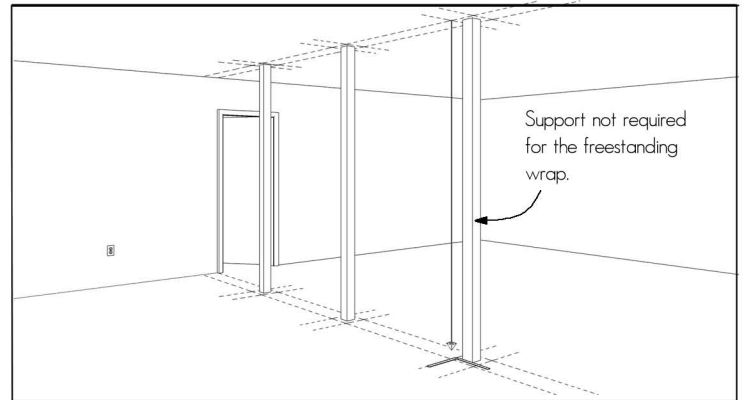
INSTALLATION:



Free Standing

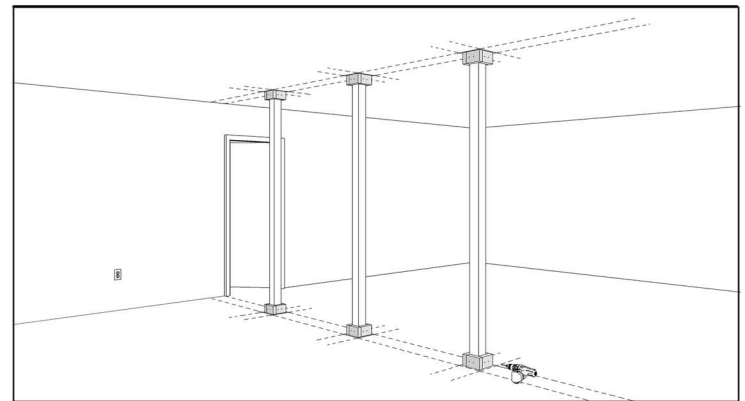
9 Outline column wrap position with painters tape.

NOTE: Use a plumb bob, combination square and chalk line, ensure each column is plumb, square and in alignment with adjacent columns in the colonnade.



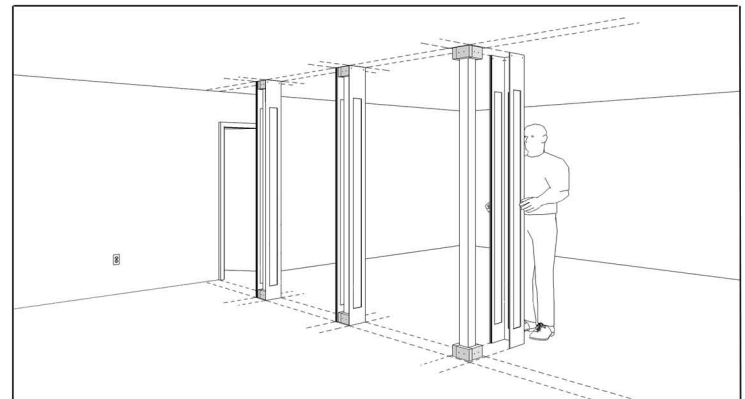
10 Install blocking at the header and footer of each column, shim as necessary.

NOTE: If installing a balustrade railing system, blocking must be installed at the height where the railing will be attached.



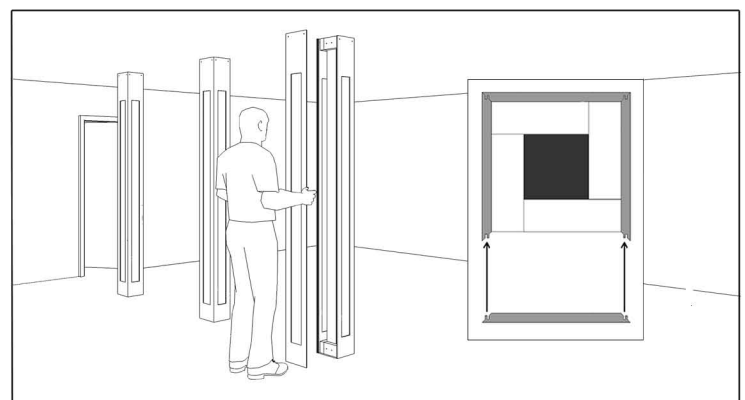
11 Stand the column upright and slide into place.

NOTE: Avoid direct contact between the column shaft and concrete.



12 Glue and fasten the remaining panel.

NOTE: Square edges, and clamp into place. Line up with other columns.



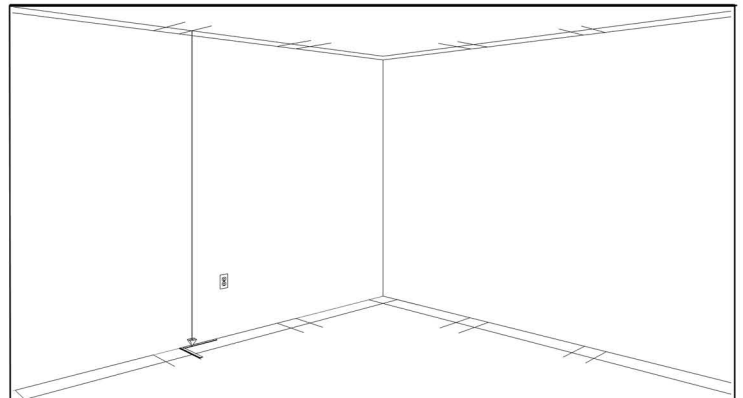
INSTALLATION:



Inside Corner

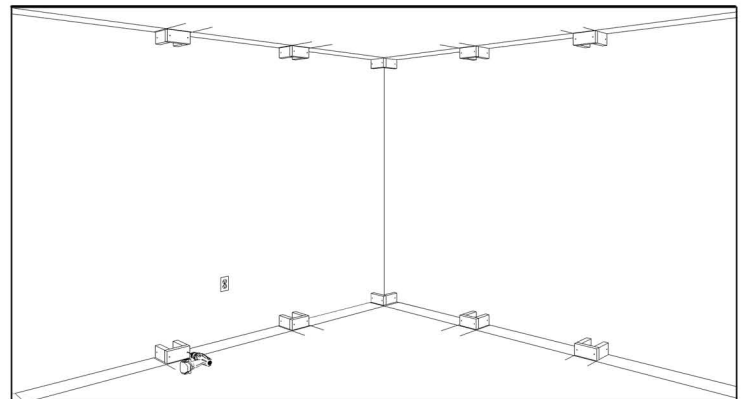
9b Outline column wrap position with painters tape.

NOTE: Use a plumb bob, combination square and chalk line, ensure each column is plumb, square and in alignment with adjacent columns in the colonnade.



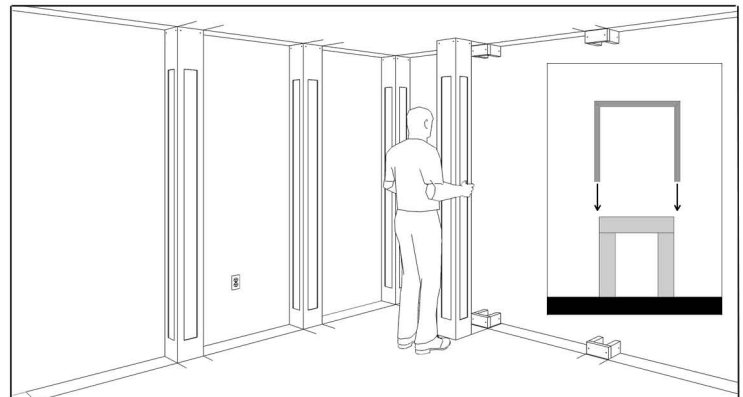
10b Install blocking at the header and footer of each column, shim as necessary.

NOTE: If installing a balustrade railing system, blocking must be installed at the height where the railing will be attached.



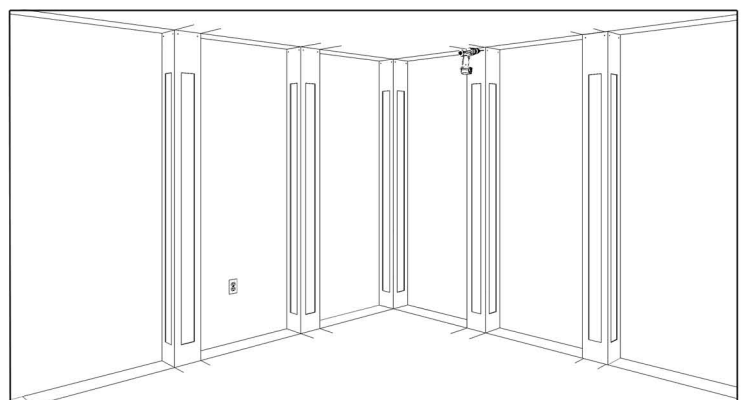
11b Stand the column upright and slide into place.

NOTE: Avoid direct contact between the column shaft and concrete.



12b Fasten Column Wrap to blocking

NOTE: Square edges, and line up with other columns before fastening.



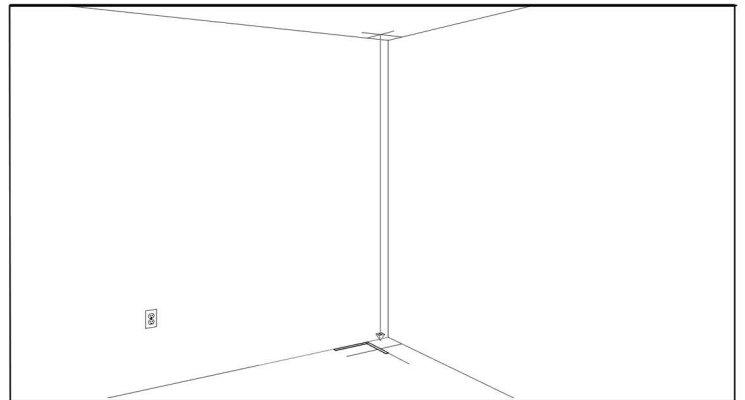
INSTALLATION:



Inside Corner

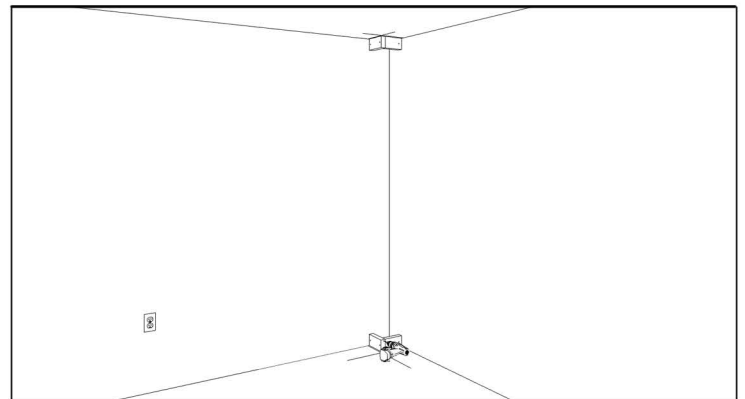
9c Outline column wrap position with painters tape.

NOTE: Use a plumb bob, combination square and chalk line, ensure each column is plumb, square and in alignment with adjacent columns in the colonnade.



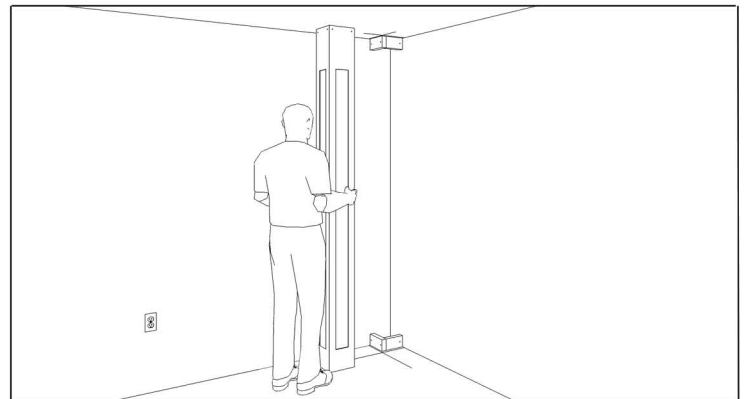
10c Install blocking at the header and footer of each column, shim as necessary.

NOTE: If installing a balustrade railing system, blocking must be installed at the height where the railing will be attached.



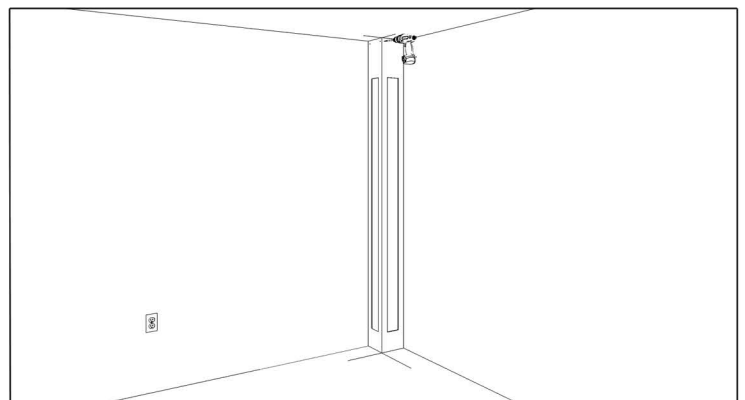
11c Stand the column upright and slide into place.

NOTE: Avoid direct contact between the column shaft and concrete.



12c Fasten the remaining panel.

NOTE: Square edges and line up with other columns.



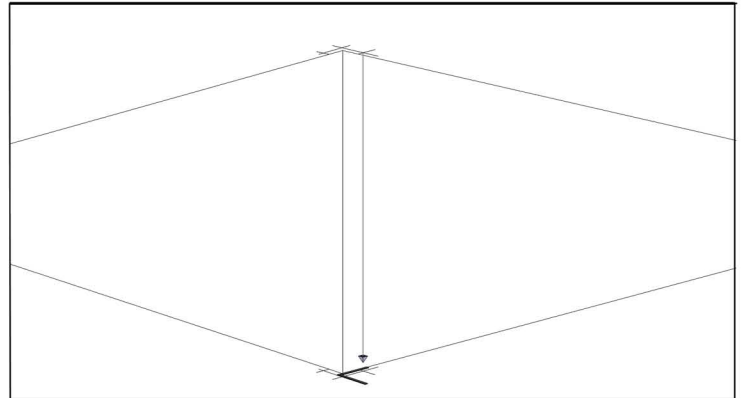
INSTALLATION:



1/4 Notched

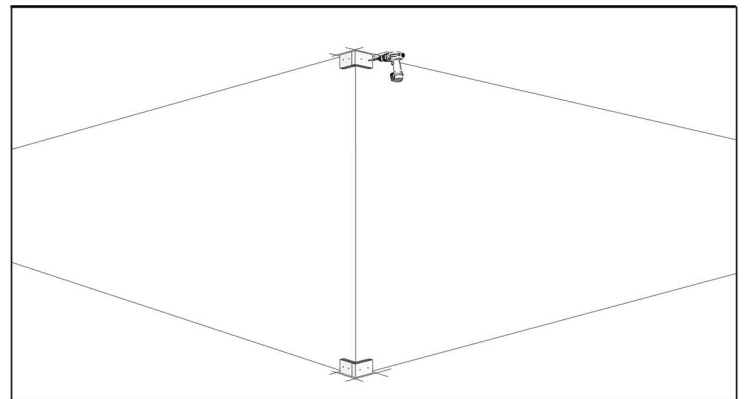
9d Outline column wrap position with painters tape.

NOTE: Use a plumb bob, combination square and chalk line, ensure each column is plumb, square and in alignment with adjacent columns in the colonnade.



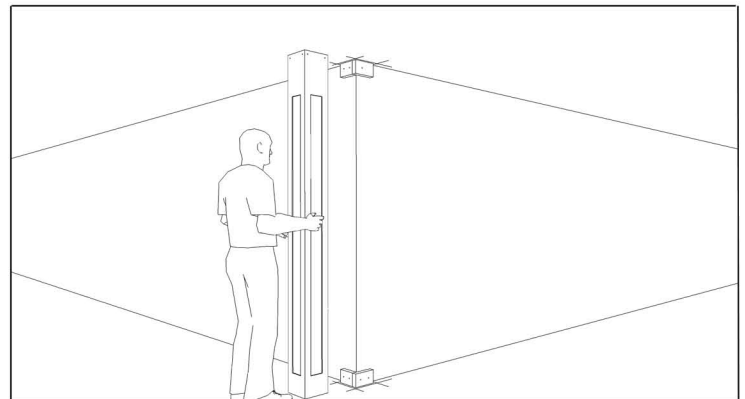
10d Install blocking at the header and footer of each column, shim as necessary.

NOTE: If installing a balustrade railing system, blocking must be installed at the height where the railing will be attached.



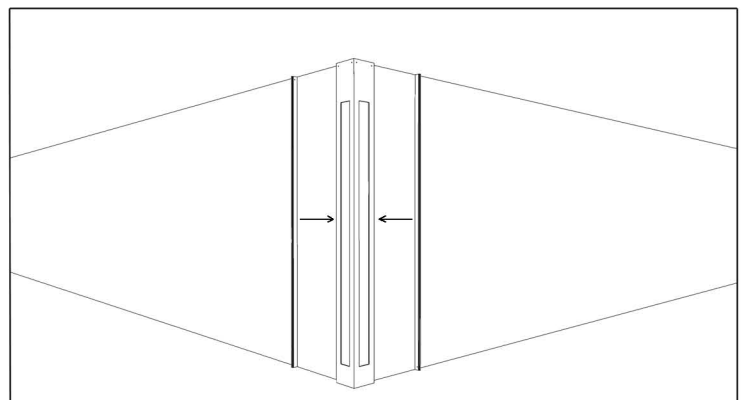
11d Stand the column upright and slide into place.

NOTE: Avoid direct contact between the column shaft and concrete.



12d Fasten the remaining panel.

NOTE: Square edges and line up with other columns.



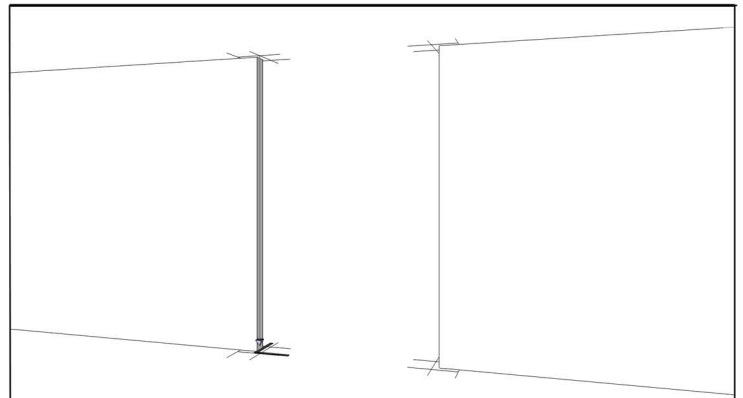
INSTALLATION:



End Cap

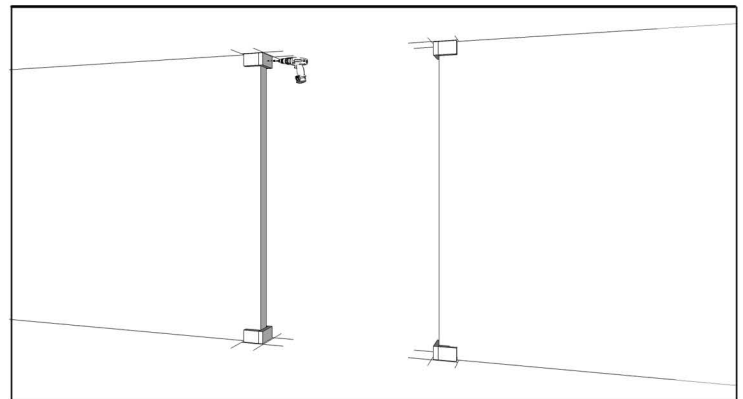
9e Outline column wrap position with painters tape.

NOTE: Use a plumb bob, combination square and chalk line, ensure each column is plumb, square and in alignment with adjacent columns in the colonnade.



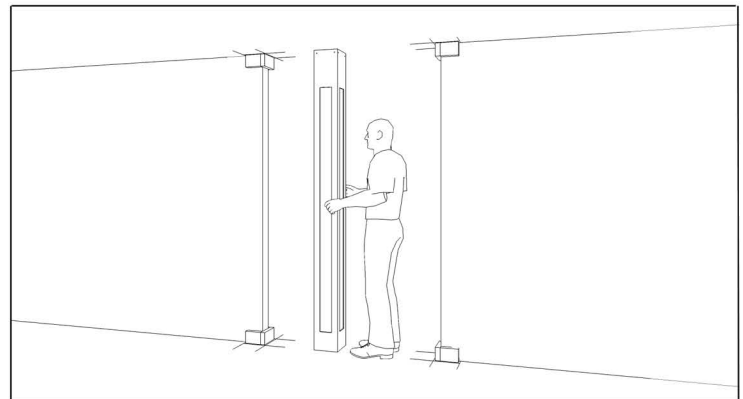
10e Install blocking at the header and footer of each column, shim as necessary.

NOTE: If installing a balustrade railing system, blocking must be installed at the height where the railing will be attached.



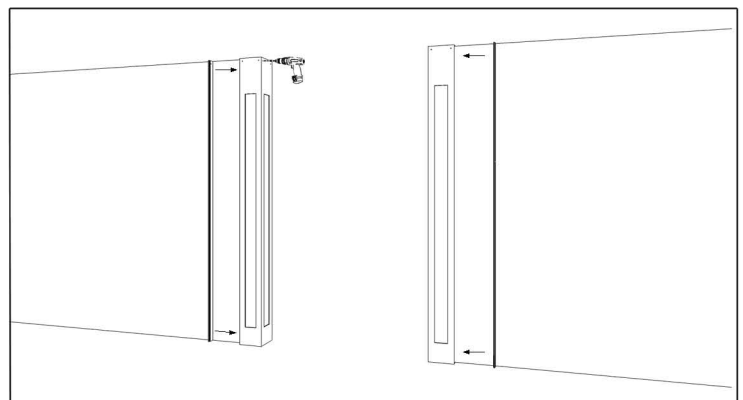
11e Stand the column upright and slide into place.

NOTE: Avoid direct contact between the column shaft and concrete.



12e Fasten the remaining panel.

NOTE: Square edges and line up with other columns.



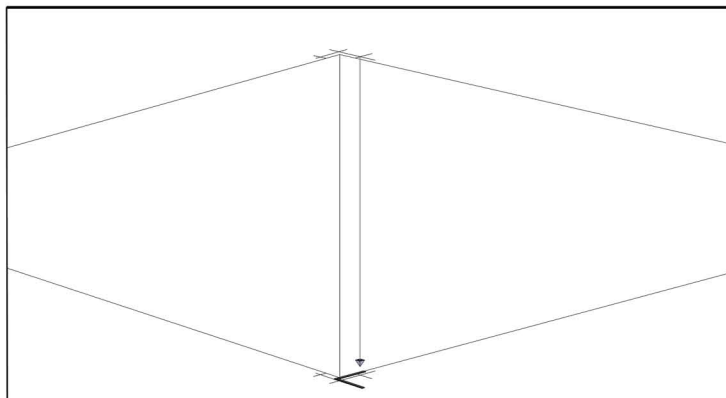
INSTALLATION:



Outside Corner

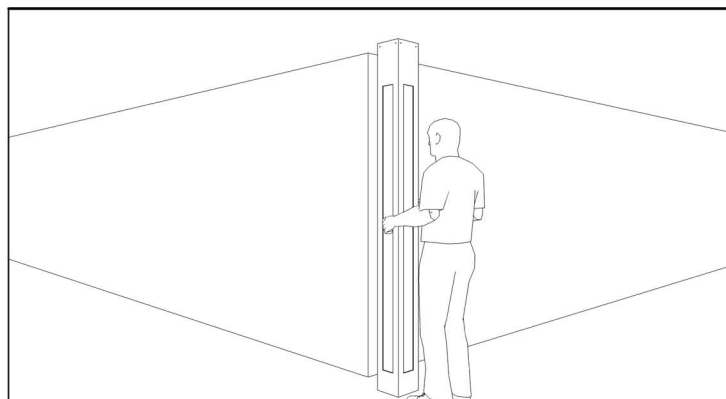
9f Outline column wrap position with painters tape.

NOTE: Use a plumb bob, combination square and chalk line, ensure each column is plumb, square and in alignment with adjacent columns in the colonnade.



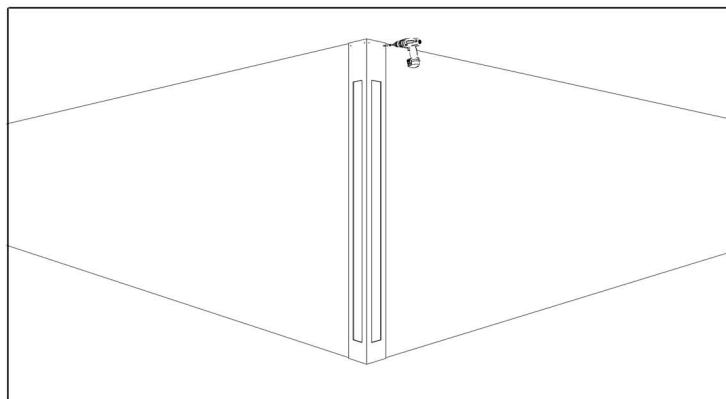
10f Stand the column upright and slide into place.

NOTE: Avoid direct contact between the column shaft and concrete.



11f Fasten the panel to the wall.

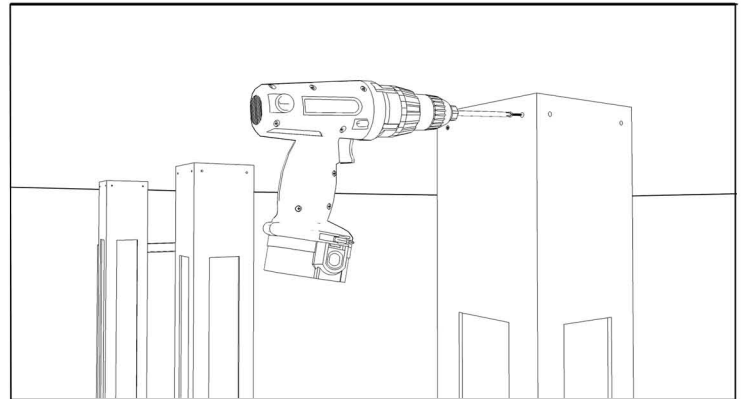
NOTE: Square edges and line up with other columns.



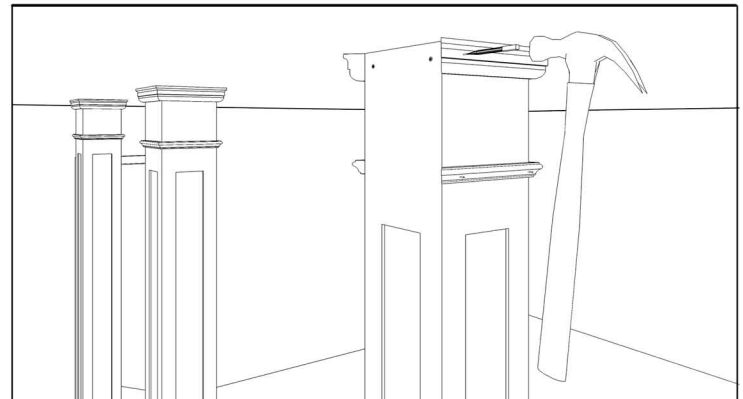
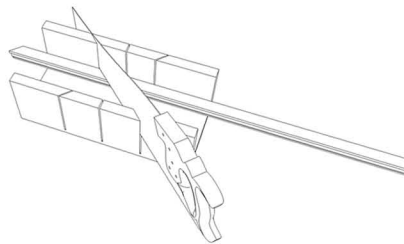
FINISHING

13 Fasten the column to the blocking

NOTE: Use a #8 coarse-thread, stainless-steel screws; use a 5/32" pilot hole and countersink. Screws will be concealed by the capital and base moulding.

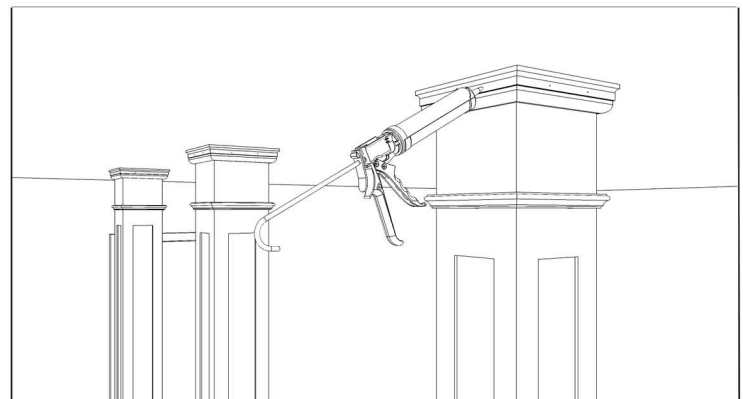


14 Miter supplied mouldings and secure to the column shaft using 6d finish nails, being sure to pre-drill 1/16" pilot holes.



15 Cover nail heads

NOTE: For unfinished columns, use a premium wood filler to cover nail heads and wood plugs to cover screw heads. If columns are pre-finished, use premium wax filler that matches your finish.



16 Caulk along adjacent walls where required using a premium paintable and mildew resistance caulking.

