

2013 Polyurethane Catalog

Synthetic Solutions for All Your Millwork & Trim Needs



For quick and easy reference, the **Fypon® 2013 Polyurethane Catalog** is divided into major categories.

Pages 8-61

Window & Door Trim

Crossheads & Pediments
Pilasters
Window & Door Trim
Keystones
Shutters
Timber & Stone Window & Door Trim

Pages 62-93

Mouldings

Crown & Cornice Mouldings
Flat Trim & Brick Mould
Trim & Casing
Dentil & Decorative Mouldings
Plinth Blocks & Miterless Accessories
Timber Flat Trim & Brick Mould

Pages 94-99

E-Vent™ Systems

Crown Dentil System
Combination Crown System
Massive Crown System

Pages 100-147

Decorative Millwork

Brackets, Corbels & Dentil Blocks
Gable Pediments
Exterior & Interior Accents
Timber Brackets & Corbels
Timber Exterior & Interior Accents

Pages 148-165

Louvers & Gable Vents

Decorative & Functional Louvers
Louver Trim
Timber Decorative & Functional Louvers

Pages 166-179

Balustrade Systems

5", 7" & 12" Balustrade Systems
Stone Balustrade System

Pages 180-187

Porch Posts, Columns & Post Wrap

Structural Porch Posts
Structural Columns
Lamp Post
Stone Half-Round Columns
Timber Post Wrap

For our 2013 PVC Catalog, please visit www.fypon.com.

In This Edition...

Welcome to the Fypon® 2013 Polyurethane Catalog, featuring our full range of polyurethane products. We hope you will find that the following enhancements make it easier to use this book to specify, source and sell Fypon polyurethane millwork and trim products:

- New parts have been added to our standard product offering in the Window & Door Trim, Mouldings and Decorative Millwork sections of the catalog. These parts are labeled with a “NEW” tag to help identify them.
- Part numbers have been assigned to additional pre-fabricated parts in the Window & Door Trim section of the catalog, making it easier to order these parts with attached accessories.
- The Balustrade Systems section of the catalog is now organized by style and then size, so you can find the right architectural style and then select the size needed for your project.

Please visit www.fypon.com for additional resources, including table and blade angles, and installation instructions.





Fypon® Polyurethane Products Put Us to Work for You

Fypon is the leading brand of decorative moulding and millwork.* With synthetic solutions for virtually any millwork and trim project, you can put Fypon products to work for you. Our polyurethane decorative millwork and trim deliver the beautiful, authentic details and rich textures of finely finished wood, rugged timber and classic stone accents – without the hassles of some traditional building materials.

Fypon polyurethane products provide superior performance over many other materials given their inherent properties. Polyurethane is a closed-cell product, making it resistant to moisture and insects. It resists rotting, warping, cracking and peeling, as well as crumbling and deterioration.

Fypon polyurethane products deliver consistent quality from piece to piece and use standard woodworking tools for installation. The pre-primed surface is ready to stain or paint – no sanding or additional priming needed. And polyurethane is lightweight, making the product easier to handle and install.

For even greater peace of mind, we stand behind all of our products with a limited lifetime warranty for homeowners.**

* **Builder Magazine** “2012 Brand Use Study”

** For complete details on our warranty, visit www.fypon.com.

Smart, Stylish Solutions from Peak to Plinth

Fypon® polyurethane products deliver outstanding features and benefits from peak to plinth:

- The look and feel of traditional building materials without the maintenance
- Resists moisture and insects, as well as rotting, warping, cracking, peeling, crumbling and deterioration
- Pre-primed and ready to paint or stain in smooth surfaces, as well as stone and timber textured options
- A wide variety of standard products with pre-fabricated and custom options available for many products
- All products backed by a limited lifetime warranty for homeowners



Window & Door Trim

- Customize windows and doorways
- Styles ranging from ornate to simplistic
- Available in standard and pre-fabricated shapes and sizes to fit most openings



Mouldings

- Uniquely detailed designs to match any decor
- More than 100 architectural profiles
- One-piece combinations
- Miterless crown moulding systems also available



E-Vents™

- Provide additional ventilation for steep pitched roofs
- Help remove heat and moisture in hot climates, condensation in cold climates
- Moulding and vent systems installed as one unit, in several profiles
- Corrosion-resistant screens help to keep insects out



Decorative Millwork

- Detailed, architecturally accurate millwork
- Collection of styles expands your design possibilities



Louvers & Gable Vents

- Available in decorative (non-venting) and functional (venting) styles
- Angled slats help protect interiors from the elements
- Corrosion-resistant screens help to keep insects out
- Available in standard and pre-fabricated shapes and sizes to fit most openings



Balustrade Systems

- Variety of styles and sizes to define spaces
- Structurally reinforced, durable and beautiful
- Most corrosion-resistant fasteners concealed



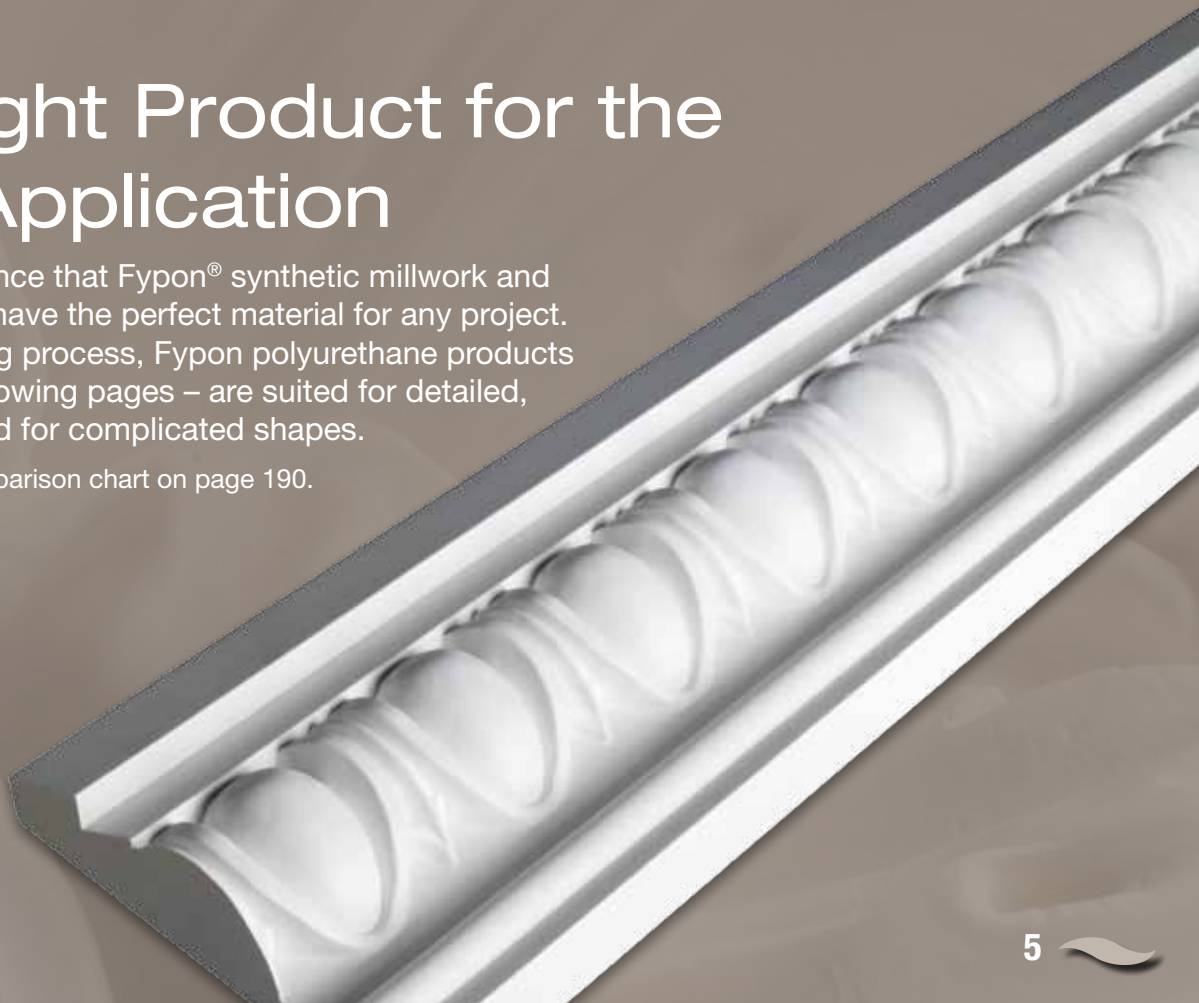
Porch Posts, Columns & Post Wrap

- Variety of styles to suit many applications
- Structural porch posts and columns with load-bearing capacities up to 12,000 pounds
- Non-structural decorative wrap installs around existing supports

The Right Product for the Right Application

With the performance that Fypon® synthetic millwork and trim provides, we have the perfect material for any project. Given the moulding process, Fypon polyurethane products – found on the following pages – are suited for detailed, decorative trim and for complicated shapes.

See the Material Comparison chart on page 190.



Partnering with Fypon

It's critical to have a dependable partner when you're looking for architectural millwork for a building project. Give yourself the advantage of working with Fypon. We offer an extensive variety of styles and sizes that meet virtually any architectural requirement. And we can help you use our products to fit your specifications.

Download our Quote Request Form at www.fypon.com/professional/distributor/quote.asp to get started. This form is tailored to help us understand more about your project needs. Or contact us at 855.397.6647 to learn more about our capabilities.



Project Quoting Services

Do you need help using our products to fit your specifications for a project – large or small? Fypon offers superior service from completing quotes for standard or custom architectural millwork to using specialized construction software to provide digitized takeoffs from your construction prints.

Fypon project quoting services include:

- Request for Quote – We can provide you with pricing for one part or multiple parts to meet the needs of small projects.
- Large Project Quoting – We can provide you with quotes for large projects from single homes to commercial buildings.
- Digitized Takeoffs – Using specialized software, we can get you the quick and accurate quantity takeoffs you need to complete your project.
- Project Quote Package – Our customized project quote packages for large projects put all the pertinent information together in an easy-to-understand format, including quantity pricing, drawings on standard or custom parts, breakouts that show parts in context of the prints, installation information, warranty information and more.

Pre-Fabricated Products

Does your project require an alteration to a standard part? Let us fabricate it for you. In many cases, we can alter one or more standard parts that closely match your requirements to create a part that fits your project specifications.

These pre-fabricated options can help save time and labor in the field:

- **Additional Sizes** – We can create additional sizes for some standard parts, such as crossheads in custom widths.
- **Attached Accessories** – We can attach accessories – keystones, dentil trim and bottom trim – to some standard parts. Part numbers for many pre-fabricated options are featured in the Window & Door Trim section of this catalog, starting on page 8.
- **Routing Options** – We can also route a channel in some standard parts – such as window and door trim and louvers – to accept siding.

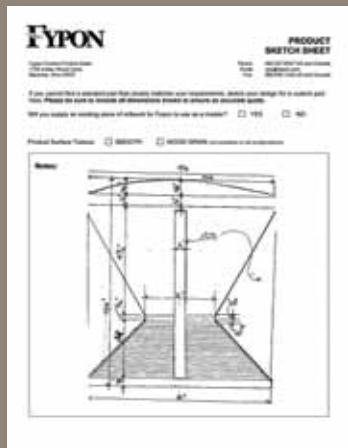


Decorative Custom Products

Does your project require a shape, size or profile that you don't see in this catalog? Occasionally, the need for something special arises. Fypon can bring your construction dreams to reality.

Whether you need an authentic replica for a historical restoration or you're faced with a unique or unusual architectural situation, we have the design and production capabilities to turn your sketch and dimensions into almost any millwork or trim product imaginable.

We will review your custom project to arrive at the best solution, working with your plan to create a CAD drawing and produce a new custom part for your project.



Adhesive & Finishing

A urethane-based adhesive such as Loctite® PL Premium® Construction Adhesive* must be used on all joints when installing urethane products. This will minimize the effects of expansion and contraction on the product. For additional information on adhesives, detailed installation instructions and finishing information, please visit www.fypon.com.

Loctite® PL Premium® Adhesive

	Part Number	Description
	ADH1 Loctite PL Premium Adhesive	(1) 10.2 oz. Cartridge

Primer Color Match Available at Sherwin-Williams®

To better service our customers nationwide, we have worked with Sherwin-Williams® to formulate a color and sheen match for our factory-applied primer.

Fypon® White:

Resilience™ Exterior Latex
Product # K42W51
Sheen: Flat
Base: Extra White
No colorant needs to be added to the formula.

Fypon® Oatmeal:

Resilience™ Exterior Latex
Product # K43W53
Sheen: Satin
Base: Deep Base
Quart and gallon formulas are shown below.

Quart Formula

W1 – White 4/32, 1/64
B1 – Black 7/32, 1/64, 1/128
R2 – Maroon 4/32
Y3 – Deep Gold 15/32, 1/64, 1/128

Gallon Formula

W1 – White 18/32
B1 – Black 31/32, 1/128
R2 – Maroon 15/32, 1/64
Y3 – Deep Gold 63/32

Finishing Touches

	Part Number	Description
	EWP00501 Exterior White Paint	(1) 0.5 oz. Bottle
	EWP121 Exterior White Paint	(1) 12 oz. Aerosol Can
	FRP04001 Filler Putty	(1) 4.5 oz. Tube

Material Comparison

	Fypon® Urethane	Wood	Composite
May Be Placed Against Masonry	YES	NO	NO
Above-Grade Distance Requirement**	0"	8"	6"
Water Absorption	NO	YES	YES
Insect Resistant	YES	NO	NO
Moisture Resistant	YES	NO	NO
Pre-Drilling Required When Edge Nailing	NO	YES	YES
Requires Sanding, Priming & Sealing	NO	YES	YES
Painting (Number of Coats Needed)	1	2	2
Quality	Consistent quality, no waste; consistent finish	Natural variation; must be culled	
Versatility**	Suitable options for interior or exterior application	Different grade of material and finish required for outdoor use	

* Marks denoted by (*) asterisk are owned by third parties.

· Loctite® PL Premium® is owned by Henkel Corporation.

· Sherwin-Williams® is owned by Sherwin-Williams Company.

** Always consult the local building code authority to determine suitability of products to meet specific project requirements.

Better Products. Better Service.

At Fypon, our goal is to provide you with the performance, the product and the service you expect from the leader in synthetic millwork. With our wide product selection, unsurpassed quality and dedication to customer service, you can trust us as the superior solution for all of your millwork and trim needs.

- ▶ Window & Door Trim
- ▶ Mouldings
- ▶ E-Vent™ Systems
- ▶ Decorative Millwork
- ▶ Louvers & Gable Vents
- ▶ Balustrade Systems
- ▶ Porch Posts, Columns & Post Wrap

For high-quality, low-maintenance millwork and trim, Fypon has you covered from peak to plinth.

Fypon®. It's How You Finish.™



Fypon warrants all of our products to be free from defects in material and workmanship. For complete warranty details, visit www.fypon.com.

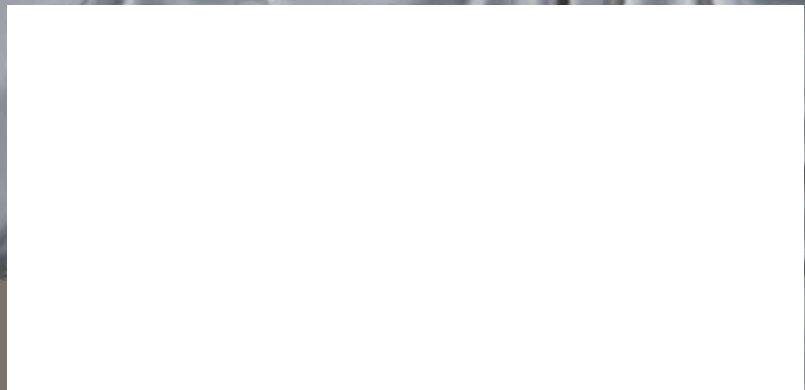
FYPON
It's How You Finish.™

1750 Indian Wood Circle · Maumee, OH 43537

Phone: 800.446.3040 U.S. and Canada
Fax: 800.446.9373 U.S. and Canada

www.fypon.com · info@fypon.com

\$5.00



©2013 Fypon, LLC. All rights reserved. FYPON and the Fypon Logo are trademarks of Fypon, LLC. Fypon, LLC, and its parent company Therma-Tru Corp. are part of Fortune Brands Home & Security, Inc. All trademarks are property of their respective owners.

Publication No. MADFFY2013 HESB / APR 2013