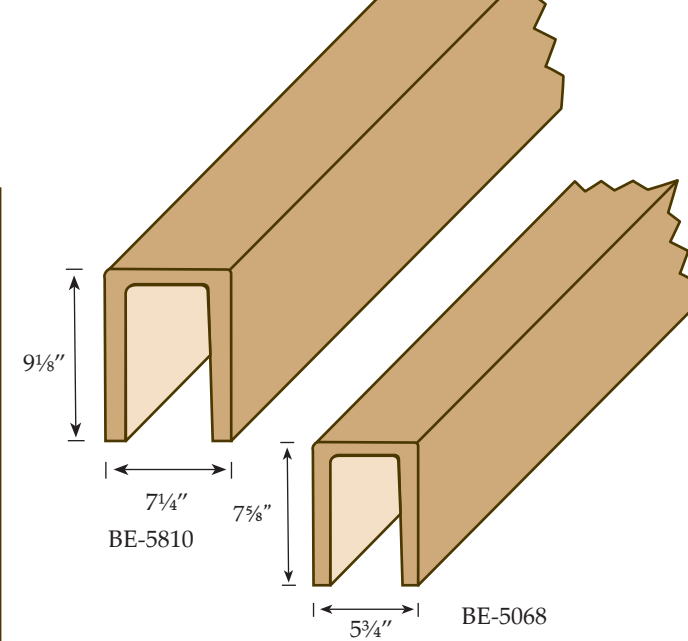


## "Majestic" Beams & Straps



### Decorative Straps for "Majestic" Beams

part no.	description	
DS-412A	4" x 12"	Flat Strap (Nut Side)
DS-412B	4" x 12"	Flat Strap (Bolt Head Side)
DS-5046	4" w	fits Beam BE-5046
DS-5046-22	4" w	fits Beam BE-5046-22
DS-5066	4" w	fits Beam BE-5066
DS-5086	4" w	fits Beam BE-5086
DS-5065	5" w	fits Beam BE-5065
DS-5068	5" w	fits Beam BE-5068
DS-5068-20	5" w	fits Beam BE-5068-22
DS-5078	5" w	fits Beam BE-5078
DS-5087	5" w	fits Beam BE-5087
DS-5112	6" w	fits Beam BE-5112
DS-5115	6" w	fits Beam BE-5115
DS-5116	6" w	fits Beam BE-5116
DS-5810	6" w	fits Beam BE-5810
DS-5810C	6" w	fits BE-5810 & CO-1287 Combo
DS-5811	6" w	fits Beam BE-5811
DS-5812	6" w	fits Beam BE-5812
DS-5215	8" w	fits Beam BE-5215
DS-5220	8" w	fits Beam BE-5220

Our Decorative Straps provide a convenient and aesthetically pleasing method for covering seams, or the point at which a beam meets a wall. They are manufactured in solid polyurethane resin and are finished in a flat black color making them a perfect complement to the authentic yet refined look of our beams. Our Decorative Straps come pre-drilled for easy installation and are very lightweight.



### "Majestic" Four-Sided Beams

part no.	Outside Dimensions w x h x length	Inside Dimensions w x h	Approx. Weight lbs.
BE-4034	2 1/2" x 2 1/2" x 20'	---	solid 12
BE-4066	5 1/2" x 5 1/2" x 20'	3" x 4"	31
BE-4811	7 1/4" x 11" x 20'	4" x 9 7/8"	51

Our "Majestic" Four-Sided Beams are shipped in two pieces, a standard three-sided beam plus a cap piece. This allows installation around an existing item, or for the construction of a truss or king post arrangement.



## Beams

Hennis Enterprises is the leading manufacturer of polyurethane beams today. We specialize in several designs with over 25 sizes to custom fit your every aesthetic need. Used indoors and out, our Majestic, Rustic, and Rough Sawn beams can do wonders to the décor of any house or structure while perfectly complementing other furnishings.

While real wood can be very expensive and unwieldy, our beams are substantially more economical and will never split, crack, check, or promote mold growth, in addition to being completely termite proof. Because they are hollow and lightweight, installation is very easy, and the beams are perfect for running electrical wiring, sprinkler pipes, or even surround sound speaker wires inside them.

None of our molds are from an artistic rendering - they are all derived from the wood piece itself. Our meticulous molding process allows us to produce the best polyurethane beams in the world today. Once installed, they look exactly like real wood - a guarantee we stand behind 100 percent.

We also offer a variety of accessories such as decorative straps and corbels, giving you your own unique look. All of our beams come with a standard tan primer coat, but we can also finish it for you in a rich walnut color for a minimal cost.

### "Majestic" Beams

part no.	Outside Dimensions w x h x length	Inside Dimensions w x h	Approx. Weight lbs.
BE-5046-22	3 1/2" x 5 1/2" x 22'	1 1/8" x 4 1/4"	19
BE-5046	4" x 5 3/4" x 16'	2 1/8" x 5 1/4"	14
BE-5066	5 1/2" x 5 1/2" x 20'	2 5/8" x 3 7/8"	23
BE-5068-20	5 1/2" x 7 1/2" x 20'	3 3/8" x 6 1/4"	25
BE-5065	6" x 5" x 20'	3 1/2" x 3 3/8"	19
BE-5069-4	6" x 9" x 56"	3 1/8" x 7 3/4"	9
BE-5068	6" x 7 1/4" x 12'	3 1/2" x 6 1/4"	17
BE-5078	6 1/2" x 7 1/2" x 20'	4" x 6 3/8"	25
BE-5087	7 1/2" x 6 1/2" x 20'	5" x 5 3/8"	24
BE-5086	7 3/4" x 5 1/2" x 14'	6" x 4"	19
BE-5810	7 1/4" x 9 3/4" x 20'	4 1/8" x 7 3/4"	38
BE-5811	7 1/4" x 11" x 20'	4 3/8" x 9 7/8"	42
BE-5812	8" x 11 1/2" x 14'	4 7/8" x 10 1/8"	34
BE-5112	9 1/4" x 11" x 20'	6 1/2" x 10 1/4"	43
BE-5115	9 1/2" x 14 3/4" x 14'	6 3/4" x 13 1/4"	40
BE-5116	9" x 14 1/2" x 20'	6 3/4" x 13 3/4"	58
BE-5215	11 3/4" x 14 3/4" x 14'	9" x 13 3/8"	44
BE-5220	11 1/2" x 18 3/4" x 16'	8 1/4" x 17 3/8"	61
BE-5616	15 1/8" x 15 1/8" x 16'	11 1/2" x 13 1/4"	47



Hennis Enterprises, Inc.  
3052 North Ventura Avenue  
Ventura, CA 93001

888•643•2879  
fax 805•643•3143  
www.hennisenterprises.com

# "Majestic" Corbels

part no.	w	x	h	x	proj
CO-1111	1 1/2"	x	3 1/2"	x	48"
CO-1116	3 3/8"	x	3 3/8"	x	39 3/4"
CO-1168A	5 3/4"	x	5 3/4"	x	30"

CO-1167A: 17 3/4" x 9 1/4" x 5 1/4"

CO-1067: 24" x 16" x 7 3/8"

CO-1170: 24" x 9 1/2" x 5 1/4"

part no.	w	x	h	x	proj
CO-1288	7 1/4"	x	8"	x	30"
CO-1287	7 1/4"	x	8"	x	18"
CO-1091	7 3/4"	x	8"	x	18 1/4"
CO-1386	8"	x	6"	x	12"
CO-1090	11 3/4"	x	8"	x	18 1/4"
CO-1092	12"	x	16"	x	30"
CO-1289	16"	x	18"	x	24"

part no.	w	x	h	x	proj
CO-1097	8 1/2"	x	7"	x	31"
CO-1098	8 1/2"	x	7"	x	56 1/2"
CO-1099	8 1/2"	x	7"	x	38"

CO-1100: 22 3/4" x 23" x 5 7/8"

# "Majestic" Corbels

part no.	w	x	h	x	proj	description
CO-1111	1 1/2"	x	3 1/2"	x	48"	Chamfered
CO-1116	3 3/8"	x	3 3/8"	x	39 3/4"	Chamfered
CO-1346	3 1/2"	x	5 1/2"	x	14"	Scroll
CO-1167A	5 1/4"	x	9 1/4"	x	17 3/4"	Cove
CO-1170	5 1/4"	x	9 1/2"	x	24"	Slant
CO-1172	5 1/2"	x	5 3/4"	x	72"	Scroll
CO-1168A	5 3/4"	x	5 3/4"	x	30"	Chamfered
CO-1100	5 7/8"	x	23"	x	22 3/4"	Scroll
CO-1352	6"	x	8"	x	1"	Bullnose
CO-1351	6"	x	8"	x	2"	Bullnose
CO-1353	6"	x	10"	x	2"	Bullnose
CO-1093	7 1/8"	x	11 3/8"	x	7 1/8"	Scroll
CO-1288	7 1/4"	x	8"	x	30"	Crown
CO-1287	7 1/4"	x	8"	x	18"	Crown
CO-1395	7 1/4"	x	9 1/4"	x	24"	Scroll
CO-1348	7 1/4"	x	9 1/4"	x	48"	Scroll
CO-1095	7 1/4"	x	18 1/2"	x	33 3/4"	Scroll
CO-1094	7 3/8"	x	7 3/8"	x	28 3/8"	Scroll
CO-1401	7 3/8"	x	7 3/8"	x	144"	Scroll
CO-1402	7 3/8"	x	7 3/8"	x	216"	Scroll
CO-1067	7 3/8"	x	16"	x	24"	Scroll
CO-1091	7 3/4"	x	8"	x	18 1/4"	Double Crown
CO-1386	8"	x	6"	x	12"	Double Crown
CO-1388	8"	x	6"	x	30"	Double Crown
CO-1096	8 1/2"	x	7"	x	20"	Scroll
CO-1096B	8 1/2"	x	7"	x	20"	Scroll
CO-1097	8 1/2"	x	7"	x	31"	Scroll
CO-1099	8 1/2"	x	7"	x	38"	Scroll
CO-1098	8 1/2"	x	7"	x	56 1/2"	Scroll
CO-1397	9 1/4"	x	9 1/4"	x	24"	Scroll
CO-1396	10"	x	10"	x	12"	Post
CO-1403	11 1/2"	x	7 5/8"	x	60"	Scroll
CO-1221	11 1/2"	x	12 1/4"	x	21"	Crown
CO-1090	11 3/4"	x	8"	x	18 1/4"	Double Crown
CO-1089	12"	x	5 3/4"	x	24"	Slant
CO-1092	12"	x	16"	x	30"	Double Crown
CO-1289	16"	x	18"	x	24"	Crown



part no.	w	x	h	x	proj
CO-1352	6"	x	8"	x	1"
CO-1351	6"	x	8"	x	2"
CO-1353	6"	x	10"	x	2"

CO-1396: 10" x 12" x 10"

Hennis Enterprises, Inc.  
3052 North Ventura Avenue  
Ventura, CA 93001  
888•643•2879  
fax 805•643•3143  
www.hennisenterprises.com

CO-1096: 20" x 7" x 8 1/2"

CO-1096B: 20" x 7" x 8 1/2"

part no.	w	x	h	x	proj
CO-1346	3 1/2"	x	5 1/2"	x	14"
CO-1094	7 3/8"	x	7 3/8"	x	28 3/8"
CO-1401	7 3/8"	x	7 3/8"	x	144"
CO-1402	7 3/8"	x	7 3/8"	x	216"

CO-1221: 21" x 12 1/4" x 11 1/2"



CO-1089: 24" x 5 3/4" x 12"

part no.	w	x	h	x	proj
CO-1348	7 1/4"	x	9 1/4"	x	48"
CO-1395	7 1/4"	x	9 1/4"	x	24"
CO-1397	9 1/4"	x	9 1/4"	x	24"



CO-1388: 30" x 6" x 8"

CO-1172: 72" x 5 3/4" x 5 1/2"

CO-1403: 60" x 11 1/2" x 7 3/8"



## "Rustic" Beams & Straps



Our Rustic Beams have more texture than our Majestic Beams and resemble more of a hand-hewn look complete with cracks, splits, and deep grain.



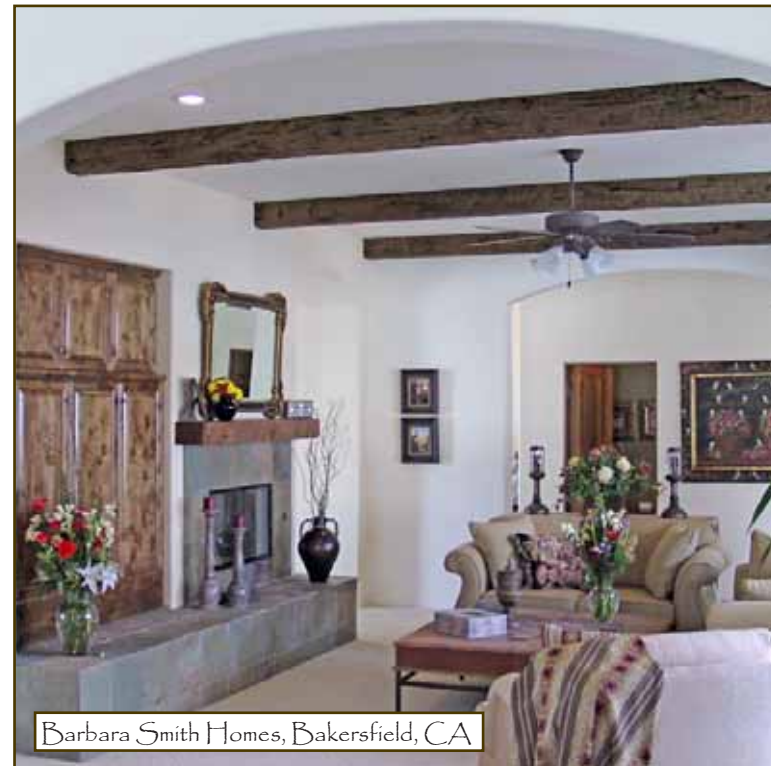
Photo Courtesy of azfauxbeams.com

### Decorative Straps for "Rustic" Beams

part no.	description	
DS-6055	4" w	fits Beam BR-6055
DS-6068	5" w	fits Beam BR-6068
DS-6087	5" w	fits Beam BR-6087
DS-6810	6" w	fits Beam BR-6810
DS-6513	10" w	fits Beam BR-6513
DS-6087-SM	Deco strap w/flange for Beam BR-6087	
DS-6810-SM	Deco strap w/flange for Beam BR-6810	
DS-6513A	Chevron Bracket for Beam BR-6513	



Photo Courtesy of Ron & Jan Davies, Washington, UT



Barbara Smith Homes, Bakersfield, CA



Hennis Enterprises, Inc.  
3052 North Ventura Avenue  
Ventura, CA 93001

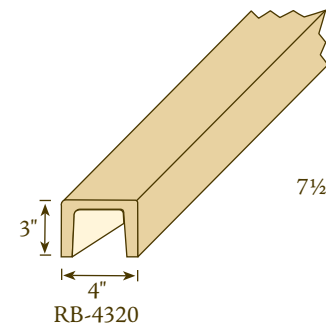
888•643•2879  
fax 805•643•3143  
www.hennisenterprises.com

### "Rustic" Beams

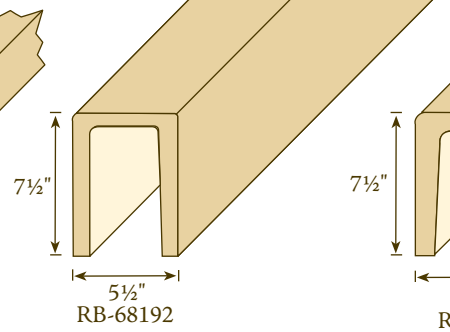
part no.	Outside Dimensions			Inside Dimensions		Approx. Weight lbs.
	w	x h	x length	w	x h	
BR-6055	4½"	x 4½"	x 16'	2"	x 3½"	15
BR-6068	5¼"	x 7¼"	x 20'	3⅝"	x 6¼"	25
BR-6087	7"	x 6½"	x 16'	4¼"	x 5¼"	24
BR-6810	7¼"	x 9"	x 20'	4¼"	x 7¼"	39
BR-6513	15¼"	x 13"	x 16'	12"	x 12"	45



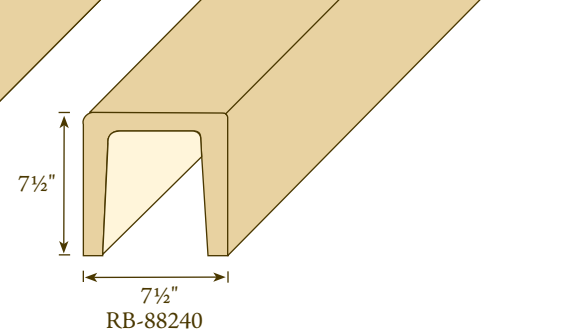
## "Rough Sawn" Beams & Straps



RB-4320



RB-68192



RB-88240

### Rough Sawn Beams

part no.	Outside Dimensions			l	Inside Dimensions		Approx. Weight lbs.
	w	x	h		w	x	
RB-4520	3 1/2"	x	4 1/2"	x	20'	(1 3/4" x 3 1/2")	14
RB-4320	3 3/4"	x	3"	x	20'	(2 1/4" x 2")	11
RB-68192	5 1/4"	x	7"	x	16'	(3 1/2" x 6 5/8")	22
RB-612102	5 1/4"	x	11"	x	102"	(3 1/4" x 10")	19
RB-88240	7 1/2"	x	7 1/2"	x	20'	(5 7/8" x 6 3/8")	34
RB-99120	8 1/2"	x	8 1/2"	x	10'	(6 1/2" x 7 1/2")	22
RB-916120	8 1/2"	x	15 1/4"	x	10'	(6 3/8" x 14 1/2")	29

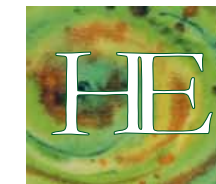
Our Rough Sawn Beams have a coarse texture resembling lumber fresh from the old time sawmill. This texture is found on most of our exterior items such as corbels, raftertails, kneebraces, outlookers and trim products.

### Decorative Straps for Rough Sawn Beams

part no.	description	
DS-4520	4" w	fits Beam RB-4520
DS-4320	4" w	fits Beam RB-4320
DS-68192	5" w	fits Beam RB-68192
DS-612102	5" w	fits Beam RB-612102
DS-88240	6" w	fits Beam RB-88240
DS-99120	6" w	fits Beam RB-99120
DS-916120	6" w	fits Beam RB-916120



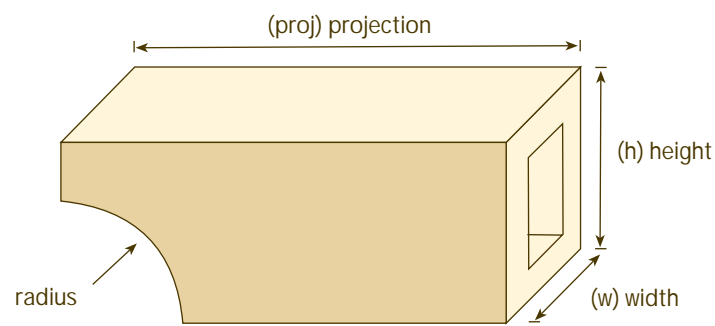
The pictures on this page of an upscale home in Las Vegas shows the extensive use of our Scroll Raftertails and Majestic Beams. Our products used in conjunction with the clay tile roof, stone and stucco walls, creates a very dramatic and genuine look to the house. In addition to the beauty of the polyurethane products, comes very little maintenance and the knowledge that they will never split, crack or warp, even in the harsh environment of the Las Vegas, Nevada desert.



Hennis Enterprises, Inc.  
3052 North Ventura Avenue  
Ventura, CA 93001  
888•643•2879  
fax 805•643•3143  
www.hennisenterprises.com



# Corbels



## Cove Corbels

part no.	w	x	h	x	proj	radius
CO-1133	1½"	x	5½"	x	8"	3½"
CO-1228	1½"	x	5½"	x	20"	3½"
CO-1016	3"	x	4"	x	3"	1½"
CO-1257	3"	x	6½"	x	26½"	4½"
CO-1144	3¼"	x	9¼"	x	12"	7"
CO-1130	3¾"	x	5¾"	x	16"	2"
CO-1135	3¾"	x	5½"	x	18"	4"
CO-1134	3¾"	x	5½"	x	24"	4"
CO-1138	3¾"	x	7½"	x	16"	4"
CO-1152	3¾"	x	12"	x	12"	6"
CO-1266	3½"	x	5½"	x	5½"	4"
CO-1137	3½"	x	5½"	x	12"	4"
CO-1269	3½"	x	5½"	x	18"	4"
CO-1240	3½"	x	5½"	x	24"	4"
CO-1244	3½"	x	5½"	x	25"	4"
CO-1232	3½"	x	5½"	x	30"	4"
CO-1139	3½"	x	7¼"	x	7"	5"
CO-1136	3½"	x	7¼"	x	10"	5"
CO-1140	3½"	x	7¼"	x	12"	4"
CO-1129	3½"	x	7½"	x	3½"	2"
CO-1246	3½"	x	7½"	x	22"	5"
CO-1146	3½"	x	9½"	x	20¾"	6"
CO-1143	4"	x	5½"	x	6"	3"
CO-1153	5¼"	x	4"	x	12"	2"
CO-1154	5¼"	x	6"	x	8"	3"
CO-1163	5¼"	x	9¼"	x	14"	6"
CO-1182	5¾"	x	7½"	x	12"	3"
CO-1183	5¾"	x	7½"	x	14"	3"
CO-1164	5¾"	x	9¼"	x	12"	7"
CO-1186	5¾"	x	9¼"	x	22"	5"
CO-1184	5¾"	x	9¾"	x	14"	5"
CO-1162	5¾"	x	9½"	x	12"	6"
CO-1295	5½"	x	5½"	x	4½"	3"
CO-1178	5½"	x	5½"	x	28"	4"
CO-1304	5½"	x	7½"	x	24"	6"
CO-1165	5½"	x	9¼"	x	14"	3"
CO-1192	5½"	x	11½"	x	12"	9"
CO-1193	5½"	x	11½"	x	18"	6"
CO-1196	5½"	x	11½"	x	44"	9"
CO-1187	5¾"	x	9¾"	x	24"	6½"
CO-1220	6"	x	20"	x	16"	10½"
CO-1215	7"	x	9¼"	x	14"	7"
CO-1224	7½"	x	5½"	x	24"	4"
CO-1236	7½"	x	5½"	x	36"	4"
CO-1210	7½"	x	9½"	x	13"	6"
CO-1204	8"	x	8"	x	30"	5"
CO-1206	8"	x	8"	x	8"	5"
CO-1176	9½"	x	7½"	x	18"	5"
CO-1400	11¼"	x	8"	x	40"	5"
CO-1131	11¼"	x	7½"	x	16"	5"
CO-1399	11½"	x	8"	x	30"	5"
CO-1132	11½"	x	11½"	x	12"	8"
CO-1199	12"	x	8"	x	16"	5"



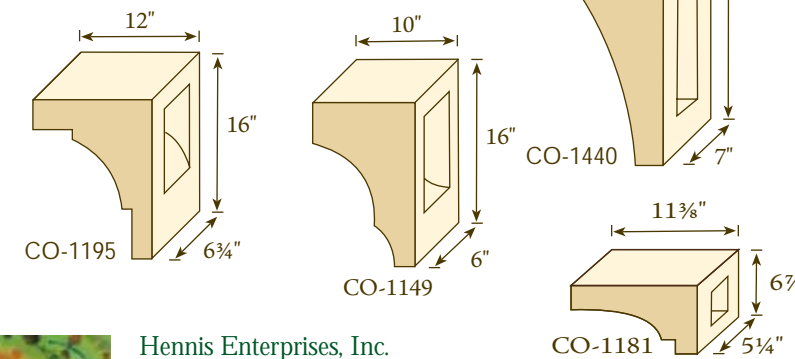
## Rough Sawn Corbels

Hennis Enterprises offers over 200 different corbels in cove, modified cove, block, bullnose, crown, scroll, slant, and chamfered designs. If our existing styles and sizes do not meet your needs, we specialize in producing custom designed corbels at a very reasonable cost.

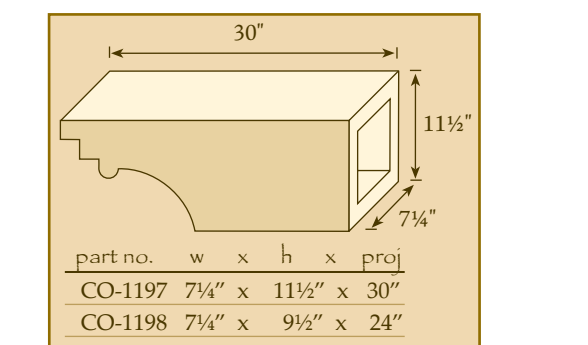
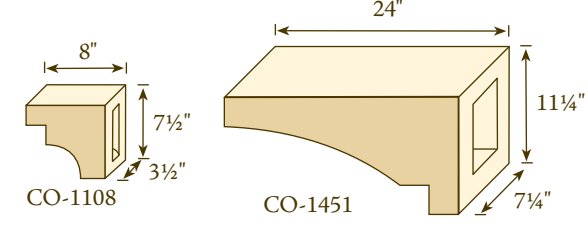
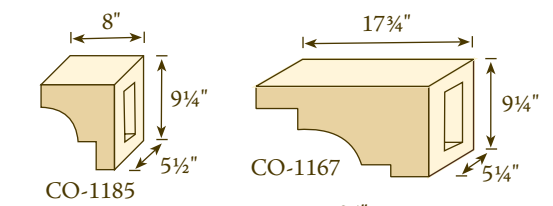
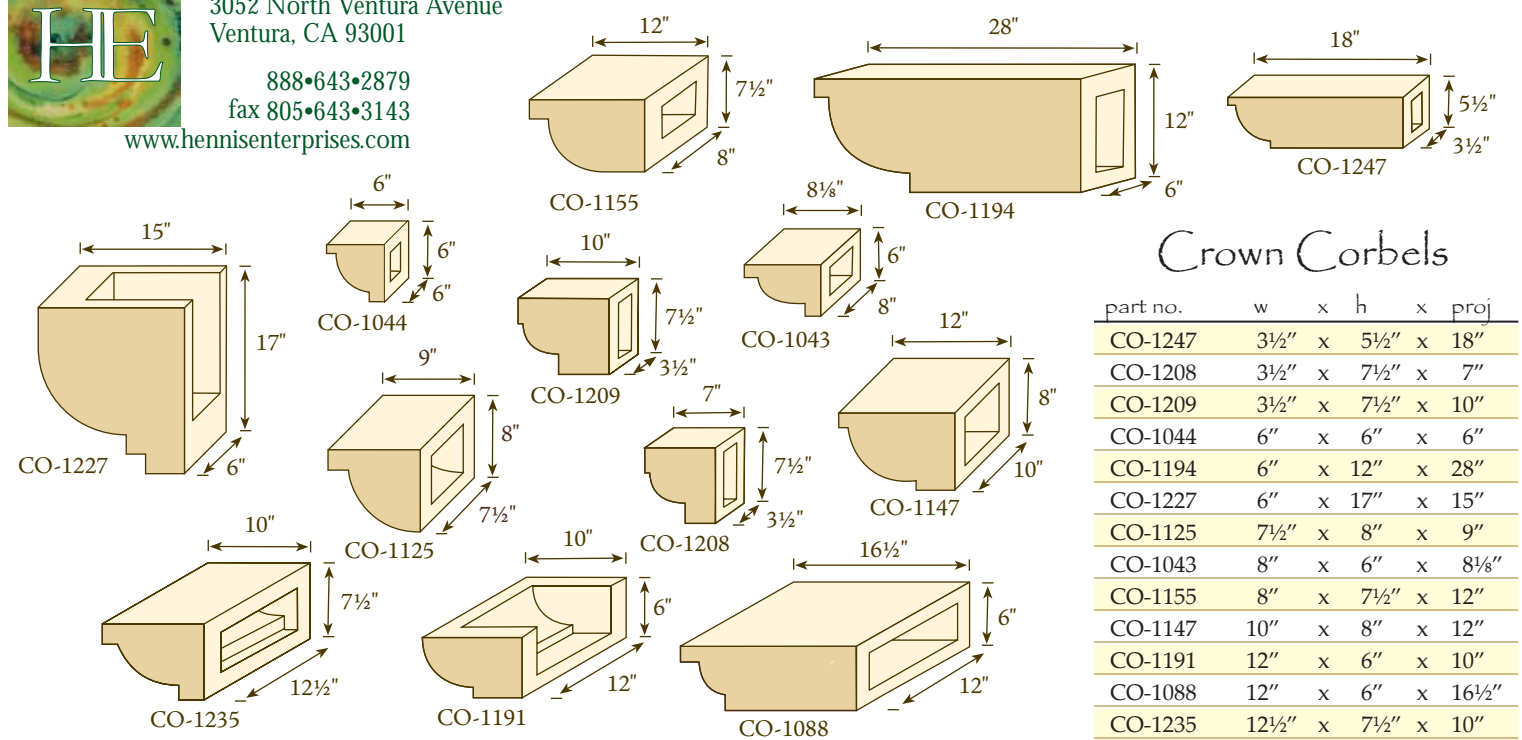
Corbels are an easy way to enhance the exterior of virtually any building. When they are used in combination with other products such as outlookers or shutters, several different distinct looks can be created for the same floor plan.

## Modified Cove Corbels

part no.	w	x	h	x	proj
CO-1108	3½"	x	7½"	x	8"
CO-1181	5¼"	x	6¾"	x	11¾"
CO-1167	5¼"	x	9¼"	x	17¾"
CO-1185	5½"	x	9¼"	x	8"
CO-1149	6"	x	16"	x	10"
CO-1262	6¾"	x	27¾"	x	62"
CO-1195	6¾"	x	16"	x	12"
CO-1440	7"	x	28¾"	x	13¼"
CO-1451	7¼"	x	11¼"	x	24"
CO-1198	7¼"	x	9½"	x	24"
CO-1197	7¼"	x	11½"	x	30"
CO-1213	13"	x	12"	x	18"



**HE**  
 Hennis Enterprises, Inc.  
 3052 North Ventura Avenue  
 Ventura, CA 93001  
 888•643•2879  
 fax 805•643•3143  
 www.hennisenterprises.com



## Crown Corbels

part no.	w	x	h	x	proj
CO-1247	3½"	x	5½"	x	18"
CO-1208	3½"	x	7½"	x	7"
CO-1209	3½"	x	7½"	x	10"
CO-1044	6"	x	6"	x	6"
CO-1194	6"	x	12"	x	28"
CO-1227	6"	x	17"	x	15"
CO-1125	7½"	x	8"	x	9"
CO-1043	8"	x	6"	x	8½"
CO-1155	8"	x	7½"	x	12"
CO-1147	10"	x	8"	x	12"
CO-1191	12"	x	6"	x	10"
CO-1088	12"	x	6"	x	16½"
CO-1235	12½"	x	7½"	x	10"

# Corbels

## Chamfered Corbels

part no.	w	x	h	x	proj
CO-1110	1½"	x	5½"	x	20"
CO-1118	3½"	x	5½"	x	18"
CO-1128	3½"	x	7½"	x	18"
CO-1114	4"	x	10"	x	15"
CO-1410	5½"	x	5½"	x	16"
CO-1411	5½"	x	5½"	x	18"
CO-1166	5½"	x	5½"	x	24½"
CO-1121	5½"	x	7½"	x	14"
CO-1119	5½"	x	7½"	x	18"
CO-1409	5½"	x	9¼"	x	12"
CO-1109	5½"	x	9½"	x	3"
CO-1112	5½"	x	9½"	x	20"
CO-1115	5½"	x	9½"	x	26"
CO-1168	5⅞"	x	5⅞"	x	30"
CO-1420	7¼"	x	7¼"	x	12"



CO-1166: 5½" x 24½" x 5½"

CO-1112: 5½" x 20" x 9½"

CO-1203: 30" x 11½" x 7¼"

CO-1214: 18" x 5" x 6"

CO-1449: 50" x 13¼" x 9½"

CO-1450: 16" x 14½" x 7¼"

CO-1446: 32½" x 7½" x 7½"

CO-1159: 11" x 12" x 7½"

CO-1142: 15" x 12" x 7½"



CO-1301: 12" x 11" x 7½"

CO-1201: 12" x 18" x 7½"

CO-1148: 18" x 11¾" x 3¾"

CO-1234: 10" x 5" x 5½"

CO-1405: 12" x 11½" x 10"

CO-1422: 24" x 5½" x 7½"

CO-1406: 11" x 7⅞" x 11"

CO-1407: 11" x 7¼" x 13½"

CO-1408: 11" x 7¼" x 15"

## Scroll Corbels

part no.	w	x	h	x	proj
CO-1347	3½"	x	5½"	x	14"
CO-1127	3½"	x	7½"	x	18"
CO-1148	3¾"	x	11¾"	x	18"
CO-1066	5"	x	8"	x	12"
CO-1302	5"	x	7"	x	11"
CO-1180	5"	x	7¼"	x	16"
CO-1241	5¼"	x	7½"	x	10"
CO-1113	5½"	x	5¼"	x	13"
CO-1216	5½"	x	7¼"	x	15½"
CO-1301	5½"	x	7½"	x	12"
CO-1226	5½"	x	7½"	x	18"
CO-1157	5½"	x	8"	x	10"
CO-1177	5½"	x	8"	x	24"
CO-1234	5½"	x	10"	x	10"
CO-1158	5⅞"	x	5⅞"	x	24"
CO-1214	6"	x	5"	x	18"
CO-1179	6"	x	8"	x	30"
CO-1212	6"	x	9"	x	30"
CO-1437	7"	x	8"	x	18"
CO-1335	7¼"	x	9"	x	12"
CO-1203	7¼"	x	11½"	x	30"
CO-1217	7⅞"	x	7¼"	x	15½"
CO-1222	7½"	x	5½"	x	24"
CO-1425	7½"	x	7½"	x	10"
CO-1446	7½"	x	7½"	x	32½"
CO-1444	7½"	x	8½"	x	12"
CO-1225	7½"	x	9¼"	x	14½"
CO-1447	7½"	x	9¼"	x	32"
CO-1190	8"	x	6"	x	9"
CO-1398	9"	x	7¼"	x	12"
CO-1449	9½"	x	13¼"	x	50"
CO-1405	10"	x	11½"	x	12"
CO-1406	11"	x	7⅞"	x	11"
CO-1159	11"	x	12"	x	7½"
CO-1407	11"	x	7¼"	x	13½"
CO-1408	11"	x	7¼"	x	15"
CO-1450	14½"	x	7¼"	x	16"
CO-1142	15"	x	12"	x	7½"
CO-1189	17¾"	x	12¼"	x	12"
CO-1201	18"	x	7½"	x	11"

CO-1241: 10" x 7½" x 5¼"

CO-1066: 12" x 8" x 5"

CO-1225: 14½" x 9¼" x 7½"

CO-1113: 13" x 5¾" x 5½"

CO-1158: 24" x 5⅞" x 5⅞"

CO-1177: 18" x 7½" x 5½"

CO-1425: 10" x 7½" x 7½"

CO-1127: 18" x 7½" x 3½"

CO-1335: 12" x 9" x 7¼"

CO-1216: 15½" x 7¼" x 7⅞"

CO-1180: 16" x 7¼" x 5"

CO-1302: 11" x 7" x 5"

CO-1212: 30" x 9" x 6"

CO-1398: 12" x 7¼" x 9"

CO-1447: 32" x 9¼" x 7½"

CO-1347: 14" x 5½" x 3½"

CO-1189: 12" x 12¼" x 17¾"

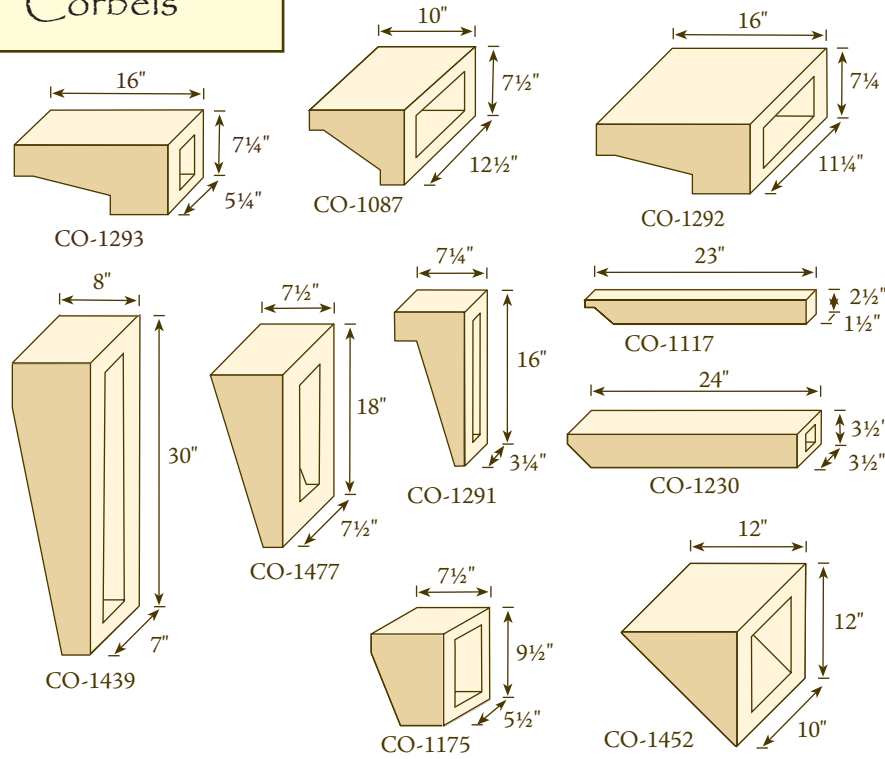
CO-1437: 18" x 8" x 7"

CO-1179: 30" x 8" x 6"



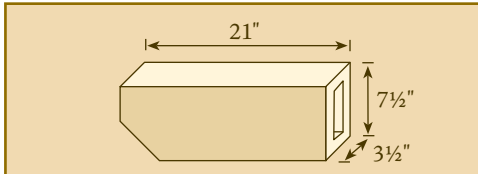
≈ Gable Vents ≈ Louvered Panels ≈ L-Headers ≈ Potshelves & Sills ≈ Shutters ≈ Deco Blocks ≈ Window Headers ≈ Raftertails ≈ Decorative Trim ≈ Corbels ≈ Beams ≈ Headers ≈ Knee Braces ≈ Outlookers ≈ Decorative Straps ≈

# Corbels



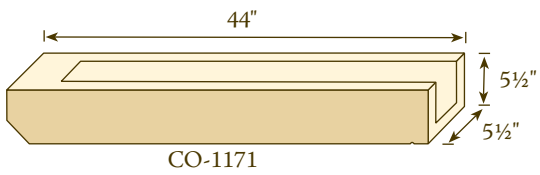
# Slant Corbels

part no.	w	x	h	x	proj
CO-1117	1½"	x	2½"	x	23"
CO-1122	3¼"	x	5½"	x	26"
CO-1291	3¼"	x	16"	x	7¼"
CO-1151	3⅝"	x	9¼"	x	22"
CO-1230	3½"	x	3½"	x	24"
CO-1245	3½"	x	7½"	x	21"
CO-1141	3⅝"	x	9¼"	x	28"
CO-1123	4"	x	5½"	x	12"
CO-1150	4"	x	10"	x	15"
CO-1161	5"	x	9½"	x	18½"
CO-1293	5¼"	x	7¼"	x	16"
CO-1231	5¼"	x	9¼"	x	16"
CO-1174	5⅝"	x	5⅝"	x	14"
CO-1156	5½"	x	5½"	x	24"
CO-1171	5½"	x	5½"	x	44"
CO-1305	5½"	x	7½"	x	68"
CO-1175	5½"	x	9½"	x	7½"
CO-1223	5½"	x	9½"	x	20"
CO-1476	5¾"	x	7½"	x	76"
CO-1475	5⅞"	x	9½"	x	26"
CO-1160	6"	x	10"	x	24"
CO-1439	7"	x	30"	x	8"
CO-1251	7⅜"	x	7⅞"	x	8"
CO-1477	7½"	x	18"	x	7½"
CO-1452	10"	x	12"	x	12"
CO-1292	11¼"	x	7¼"	x	16"
CO-1087	12½"	x	7½"	x	10"
CO-1211	12½"	x	11½"	x	18"

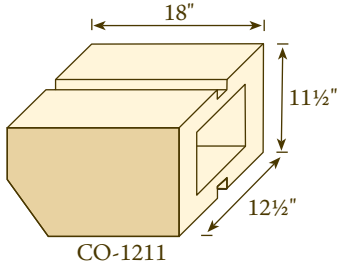


# Simple Slant Corbels

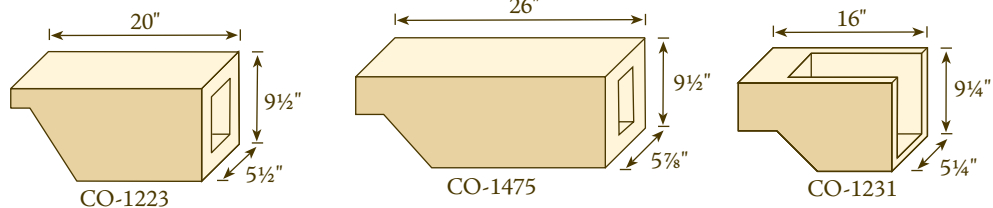
part no.	w	x	h	x	proj	slant dim.
CO-1245	3½"	x	7½"	x	21"	4" x 4"
CO-1123	4"	x	5½"	x	12"	3" x 3"
CO-1161	5"	x	9½"	x	18½"	4½" x 4½"
CO-1174	5⅝"	x	5⅝"	x	14"	4" x 4"
CO-1156	5½"	x	5½"	x	24"	3½" x 3½"
CO-1160	6"	x	10"	x	24"	4" x 4"
CO-1251	7⅜"	x	7⅞"	x	8"	5" x 5"



CO-1171



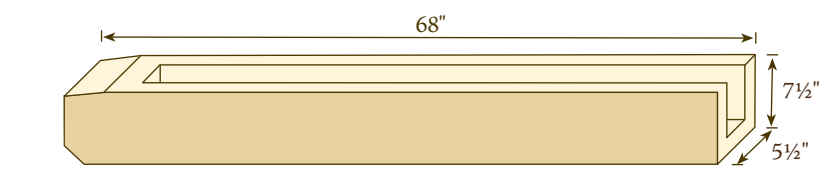
CO-1211



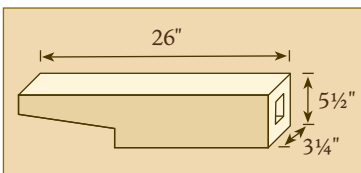
CO-1223

CO-1475

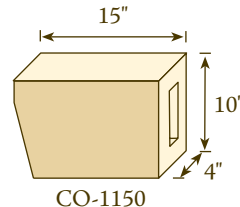
CO-1231



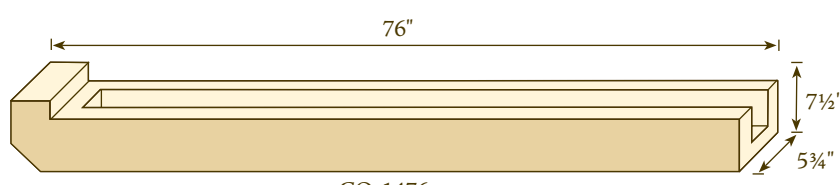
CO-1305



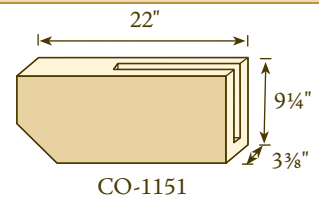
part no.	w	x	h	x	proj
CO-1122	3¼"	x	5½"	x	26"
CO-1141	3⅝"	x	9¼"	x	28"



CO-1150



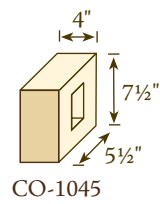
CO-1476



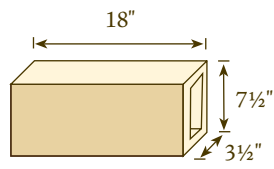
CO-1151



Hennis Enterprises, Inc.  
3052 North Ventura Avenue  
Ventura, CA 93001  
888•643•2879  
fax 805•643•3143  
www.hennisenterprises.com



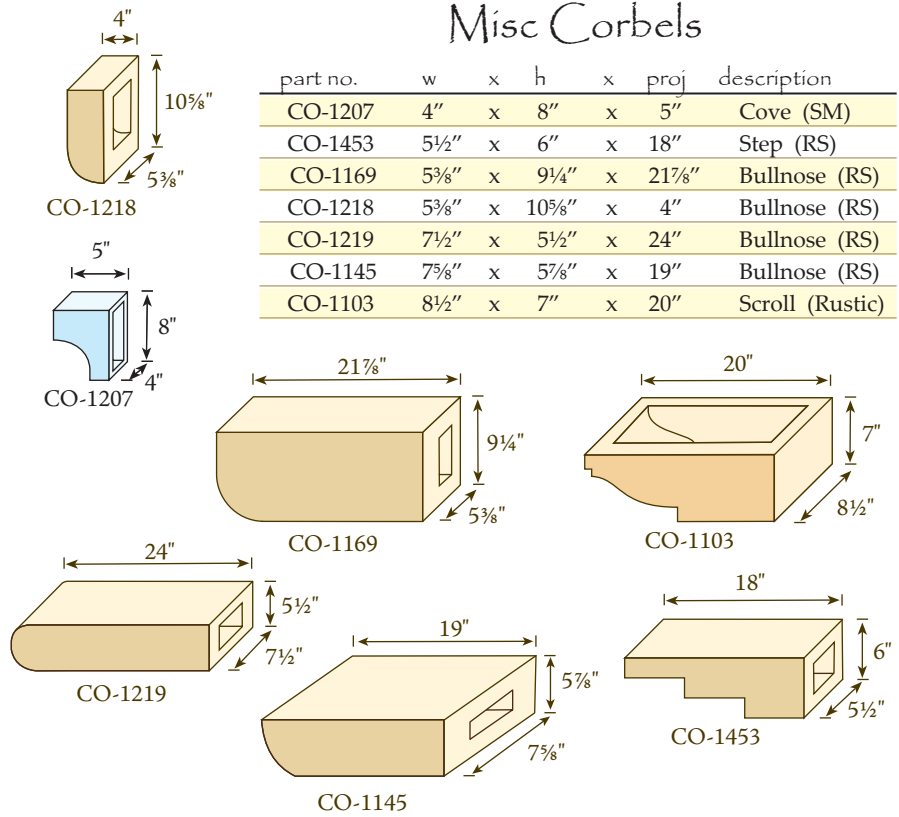
CO-1045



CO-1126



# Misc Corbels



part no.	w	x	h	x	proj	description
CO-1207	4"	x	8"	x	5"	Cove (SM)
CO-1453	5½"	x	6"	x	18"	Step (RS)
CO-1169	5⅝"	x	9¼"	x	21⅞"	Bullnose (RS)
CO-1218	5⅝"	x	10⅝"	x	4"	Bullnose (RS)
CO-1219	7½"	x	5½"	x	24"	Bullnose (RS)
CO-1145	7⅝"	x	5⅞"	x	19"	Bullnose (RS)
CO-1103	8½"	x	7"	x	20"	Scroll (Rustic)



Shea Homes, San Diego County, CA

# Square Corbels

part no.	w	x	h	x	proj
CO-1126	3½"	x	7½"	x	18"
CO-1045	5½"	x	7½"	x	4"
CO-1046	5½"	x	9½"	x	4"
CO-1188	5½"	x	9½"	x	18"
CO-1250	8"	x	7"	x	9"

